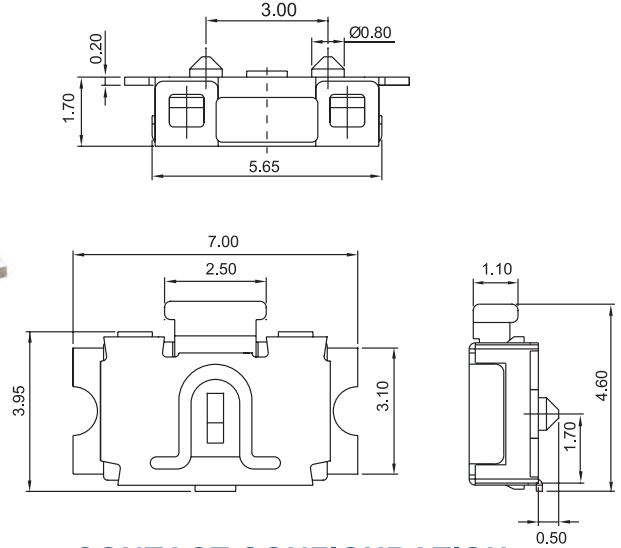




BS SERIES

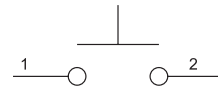
DIMENSIONS (Unless otherwise specified, a tolerance of ± 0.4 mm applies to all dimensions.)



SPECIFICATIONS

Contact Resistance (initial).....Max. 3 Ω
 Insulation Resistance (at 100VDC).....Min. 100M Ω
 Electrical Service Life.....200,000 operations
 Electrical Operating Frequency.....30 operations per minute.
 Storage Temperature Range..... -40°C to 85°C
 Storage Humidity.....at 40°C, Max. 95% R.H

CONTACT CONFIGURATION



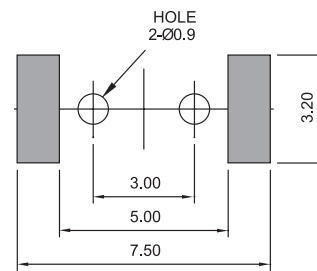
RATING

50 mA 30 VDC

APPLICATION

MP3, PDA, DSC, Mobile Phone

MOUNTING HOLES



ORDERING INFORMATION

