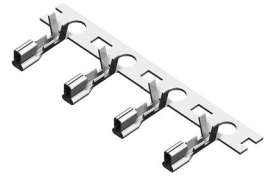
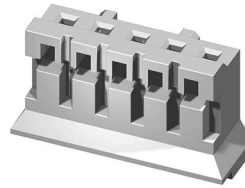


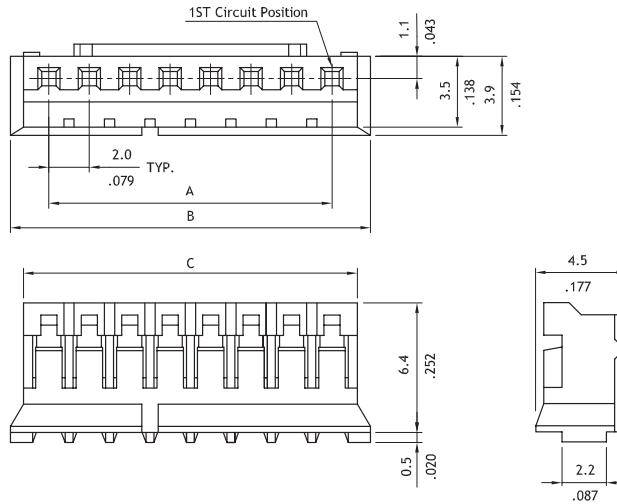
CI01 Series 2.00mm(.079") Wire to Board Connectors

- Low profile latch housing
- Mate with CI01 header
- Can be used CI01 crimp clip terminal
- Insulator: Nylon 66 UL 94V-0 , Color Nature
- Terminal: Tin plated Phosphor Bronze or Brass

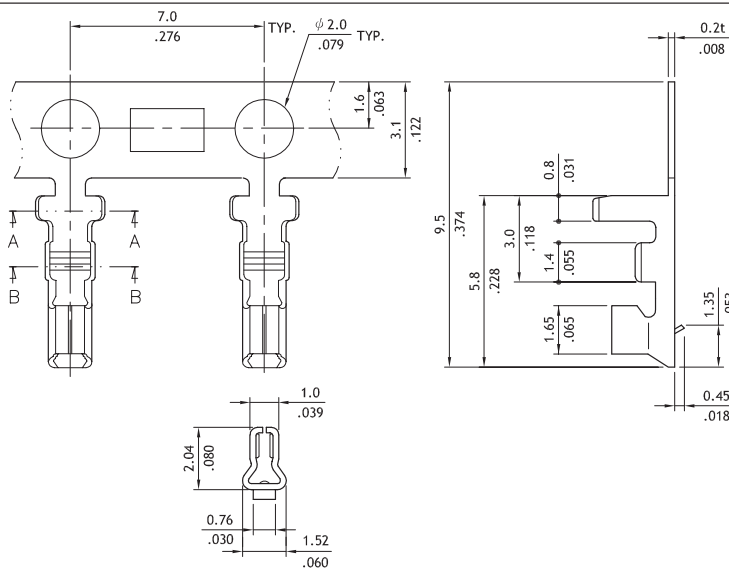
RoHS Compliant



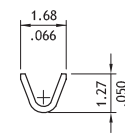
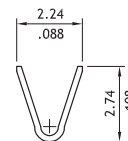
UL **UL** :E159616



A = 2.0 x (No. of Circuits - 1)
 B = A + 3.8
 C = A + 2.5



Wire Range	Insulation Diameter	Reel Qty
AWG #24-#30	1.5 (.059) MAX.	10,000 PCS.



Ordering Code

1 **2** **3** **4**
CI01 16 S 0000

- ① Series No.
- ② No. of Circuits: 02 to 16
- ③ S= housing
- ④ Other options:
 0000= Standard
 *Special options consult manufacturer

1 **2** **3** **4** **5** **6**
CI01 T01 1 P E 0

- ① Series No.
- ② Type: T01= AWG #24~#30
- ③ Plating: 1= Tin over Nickel
- ④ Material: B= Brass
 P= Phosphor Bronze
- ⑤ Plating method: E= Pre-tinned
- ⑥ Other options:
 0= Standard