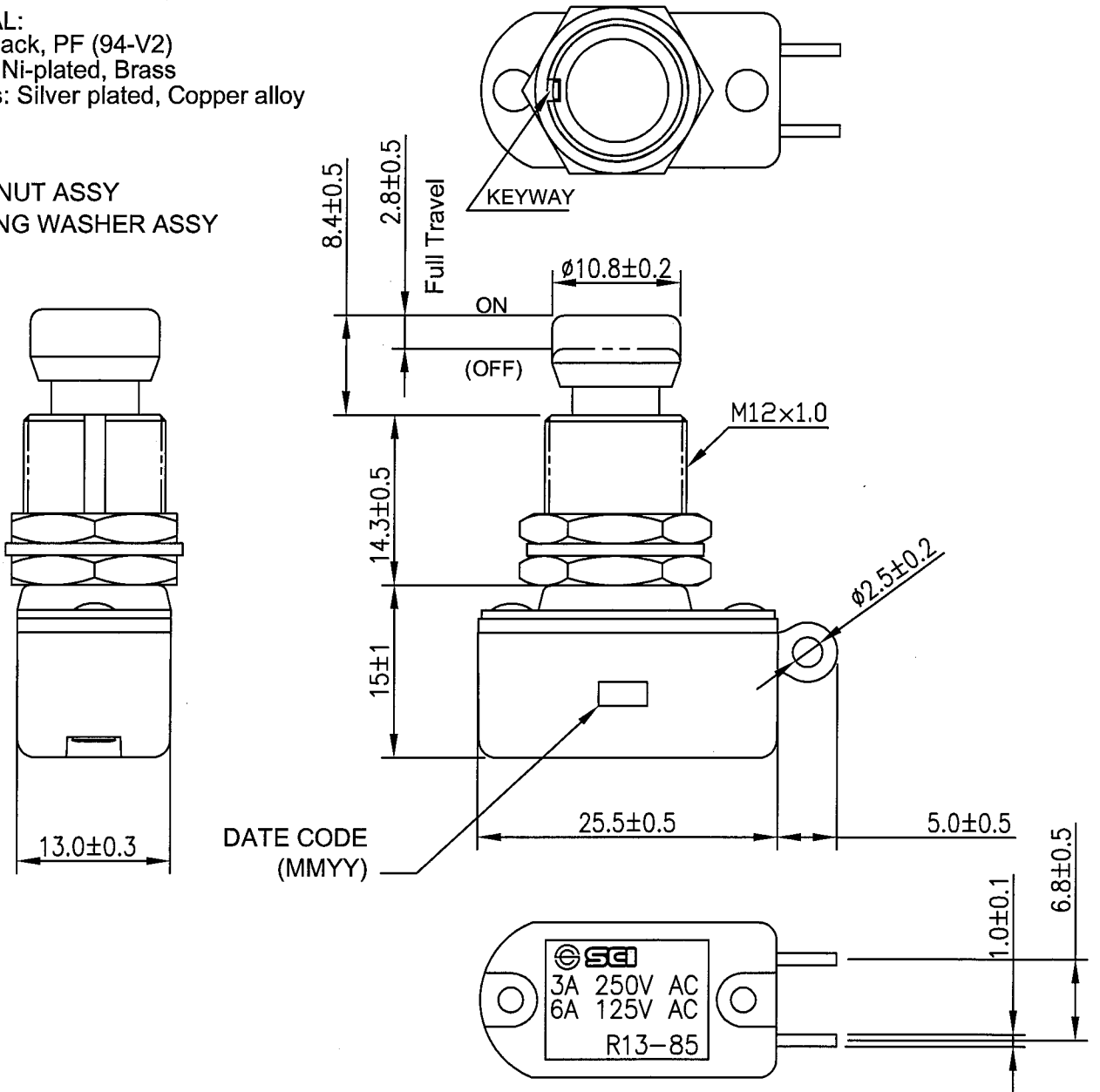


Rating	6A 125V AC, 3A 250VAC		
Contact Resistance	50m ohm Max		
Insulation Resistance	DC 500V 100M ohm Min		
Dielectric Strength	AC 1000V 1 minute		
Operation Temperature	-20°C ~ 65°C		
Switch Function	2P SPST ON-(OFF), PUSH OFF		

*MATERIAL:
 Frame: Black, PF (94-V2)
 Actuator: Ni-plated, Brass
 Terminals: Silver plated, Copper alloy

2 HEX NUT ASSY
 1 SPRING WASHER ASSY



										△
										△
Date	Name	Description								No.
Drawn	Checked	Approved	SCI BOM No.			Model Name	PUSH SWITCH			
曹盈芳		王伯山	Customer No.			Model No.	R13-85B2-05-HWH		Rev. X0	
06/03/15		6/3/15	Unit	mm	Shin Chin Industrial Co., Ltd.					