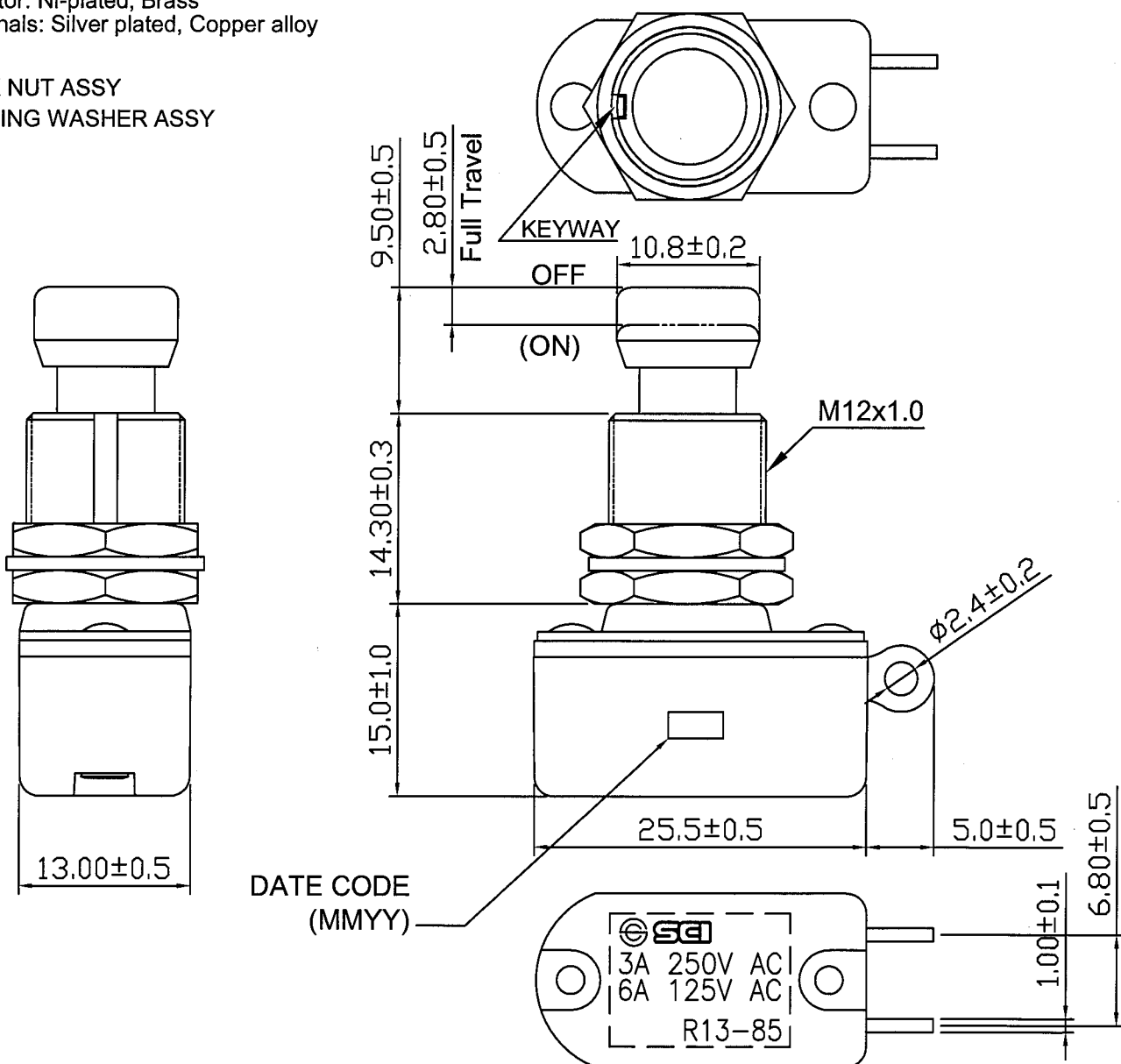


Rating	6A 125V AC, 3A 250VAC	Mounting Hole	Circuit Diagram
Contact Resistance	50m ohm Max.		
Insulation Resistance	DC 500V 100M ohm Min.		
Dielectric Strength	AC 1000V 1 minute		
Operation Temperature	-20°C ~ 65°C		
Switch Function	2P SPST OFF-(ON), PUSH ON	Thickness=8.0 Max.	

\*MATERIAL:  
 Frame: Black, PF (94-V2)  
 Actuator: Ni-plated, Brass  
 Terminals: Silver plated, Copper alloy

2 HEX NUT ASSY  
 1 SPRING WASHER ASSY



								△
								△
Date	Name	Description					NO	
Drawn	Checked	Approved	SCI BOM NO.	Model Name		PUSH SWITCH		
曹盈芳		<i>[Signature]</i>	Customer No.	Model No.		R13-85A2-05-HWH	Rev. X0	
05/20/15		5/20/15	Unit	mm	Shin Chin Industrial Co., Ltd.			