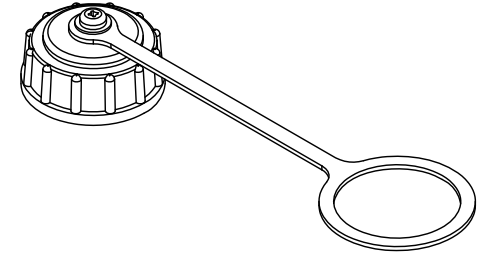
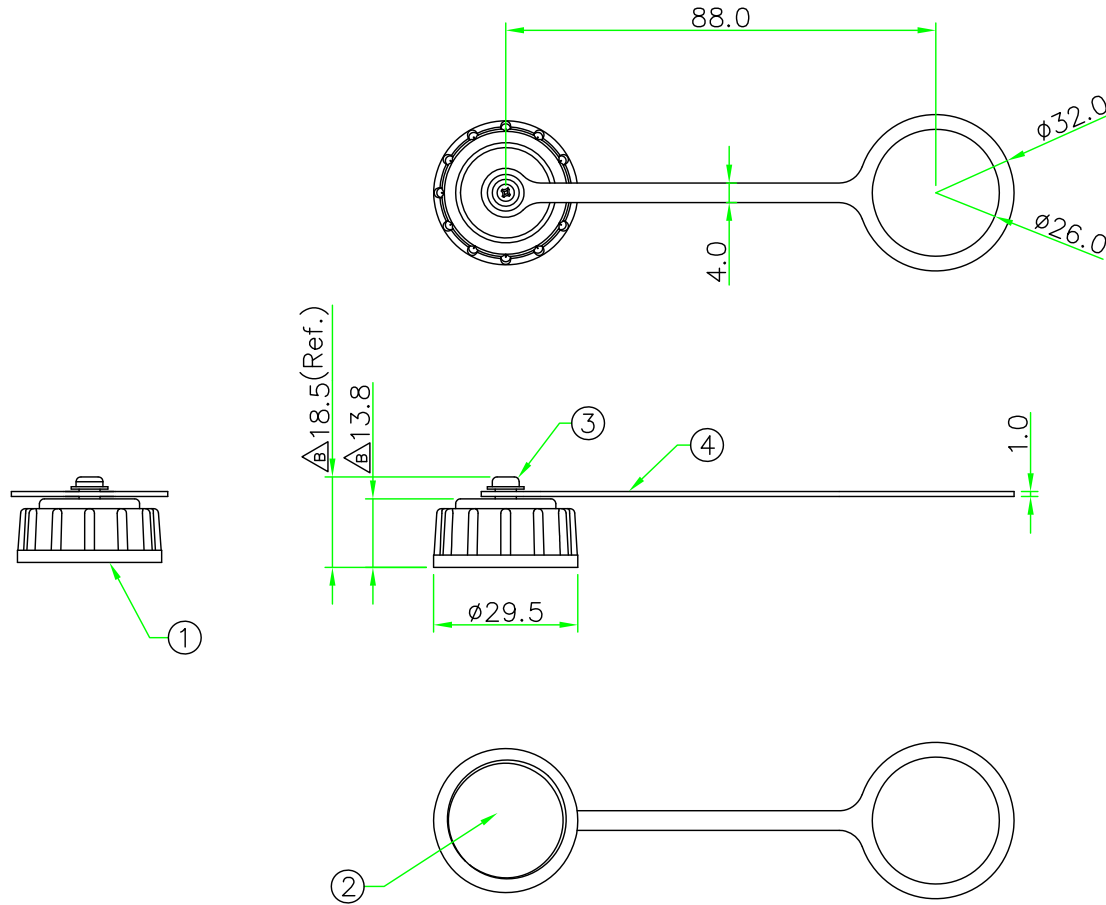


REV.	DESCRIPTION	DATE
A	ISSUE	Sep/08/2011
A1	Change part number.	Mar/06/2014
B	Change Design	Jun/17/2014



NOTE:  
Panel Thickness Max. 2mm.

**HOLIN<sup>®</sup>** HTP ASIA TECHNOLOGY CO., LTD.  
禾凌科技股份有限公司

4	CHAIN	Plastic Rubber.	BLACK	1	59-135-N2
3	SCREW	P $\phi$ /W=7.5 3x6 TP-1, SUS		1	
2	GASKET	Plastic Rubber.	BLACK	1	
1	CAP	Screw Type Cap, NYLON+GF.	BLACK	1	85-135-N2
No.	PART NAME	DESCRIPTION	COLOR	Q'TY	REMARKS

	UNIT: mm	TITLE :	Waterproof Cap Screw Type For D Size Male Connector Lock & Screw Type With Rubber Chain
SCALE	1:1.5	P/N:	CDX-WCAP-MB
UNLESS OTHERWISE SPECIFIED TOLERANCES: .X ± 0.25 .XX ± 0.1 .XXX ± 0.05 ANGLE ± 1 $\phi$ X	REV.	DWG.NO:	CDX-WCAP-MB
B	1/1	DR.	Patty
		CH.	ERIC
		AP.	