

VAM - 10010

Spannungs- und Strommessgerät



1. ALLGEMEINE INFORMATIONEN

Dear customer,






thank you for choosing our product. In the following, we will show you how to use this device.

Should you encounter any unexpected problems during use, please do not hesitate to contact us.

2. TECHNICAL SPECIFICATIONS

Operating voltage	3.5 - 30 V
Current at 3,6 V	approx. 9 mA
Current at 12 V	approx. 15 mA
Measuring ranges	0 - 99.9 V / 0 - 9.99 A
Operating temperatures	-10 - 65 °C
Measurement accuracy voltage	± 0.5 %
Measurement accuracy current	± 1 %
Dimensions	48 x 29 x 22 mm
Weight	20 g

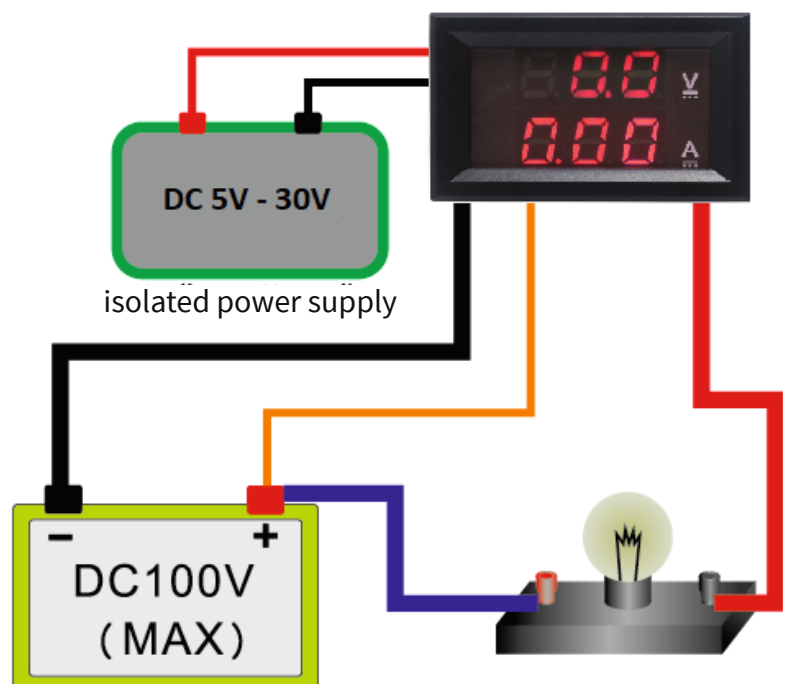
3. WIRING

-  3.5 - 30 V for tester
-  load for tester
-  measuring line (0 - 99.9)
-  input of current measurement
-  output of current measurement



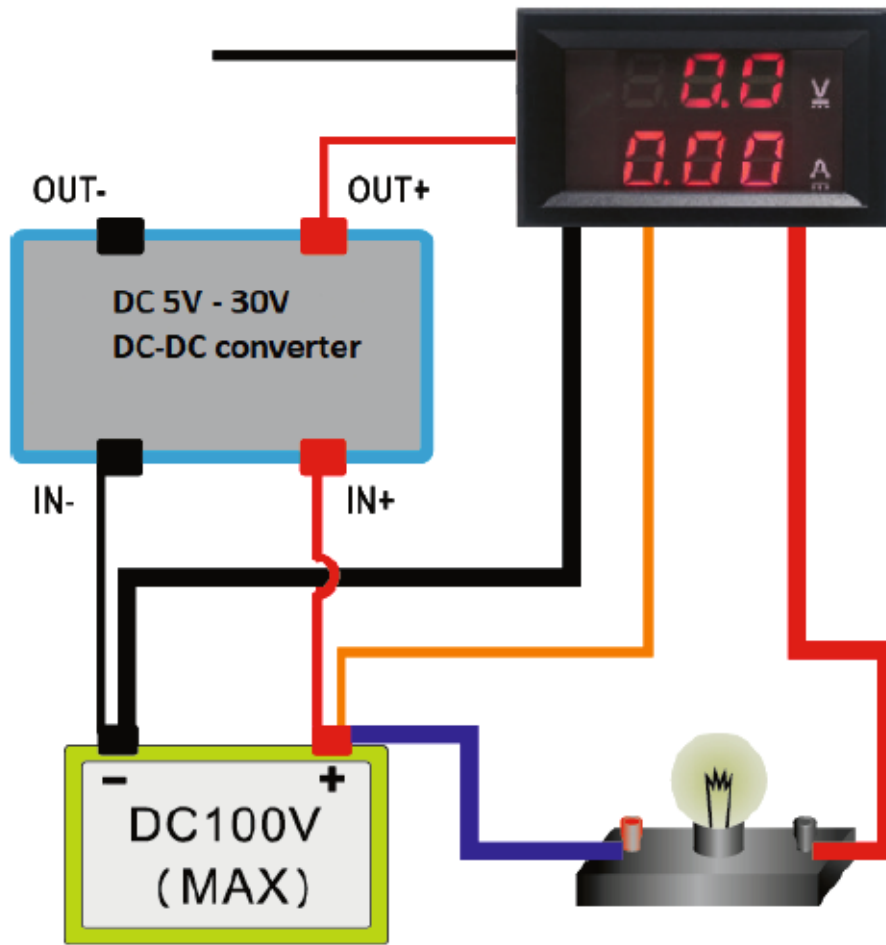
Isolated power supply

The current sources must be isolated. It must not be a connection between both circuits.

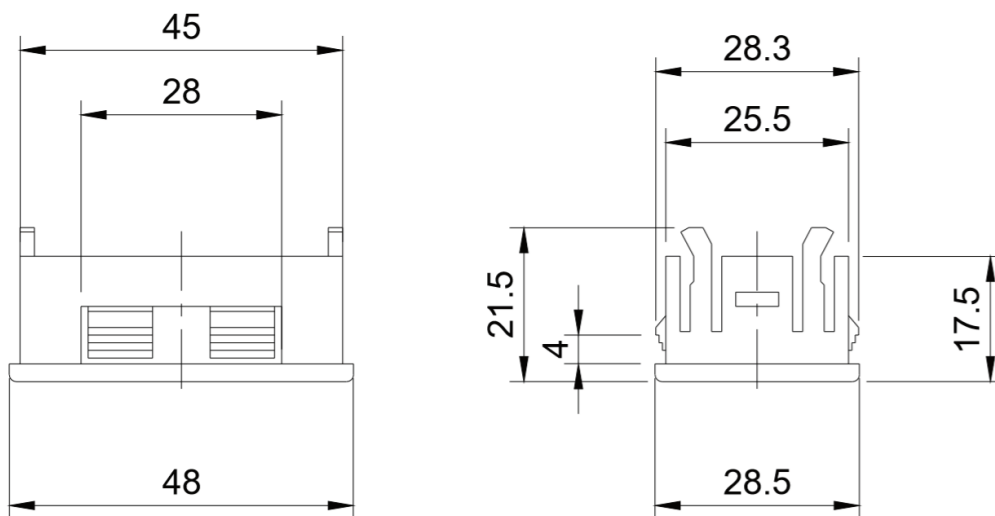


Use with a DC-DC converter

“ground tester” is not connected



4. TECHNICAL DRAWING



5. SONSTIGE INFORMATIONEN

Our information and redemption obligation according to the electro-law (ElektroG)

Symbol on electrical and electronic products :

This crossed-out bin means that electrical and electronic products do not belong into the household waste. You must hand over your old appliance to a registration office. Before you can hand over the old appliance, you must remove used batteries and accumulators which are not enclosed by the device.



Return options :

As the end user, you can hand over with the purchase of a new device your old appliance (which has essentially the same functions as the new one) free of charge for disposal. Small devices which do not have outer dimensions greater than 25 cm can be submitted independently of the purchase of a new product in normal household quantities.

Possibility of restitution at our company location during our opening hours:

Simac GmbH, Pascalstr. 8, D-47506 Neukirchen-Vluyn

possibility of restitution nearby :

We send you a parcel stamp with which you can send us your old appliance free of charge. For this possibility, you must contact us via e-mail at service@joy-it.net or via telephone.

information about packaging:

Please package your old appliance safe during transport. Should you not have a suitable packaging material or you do not want to use your own material, you can contact us and we will send you an appropriate package.



6. SUPPORT

If any questions remain open or problems arise after your purchase, we are available by email, telephone and ticket support system to answer these.

E-Mail: service@joy-it.net

Ticket-System: <http://support.joy-it.net>

Telephone: +49 (0)2845 98469 – 66 (10 - 17 o'clock)

For more information visit our website:

www.joy-it.net