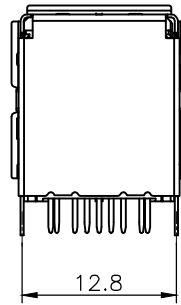
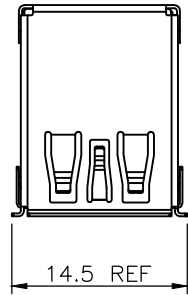


REV.	DESCRIPTION	DRAWN	DATE
1	INITIAL RELEASE	FROS	2019/11/18



BACK VIEW

SPECIFICATION:

1. ELECTRICAL

- 1.1 Current Rating: 1.5 A
- 1.2 Contact Resistance: 30mΩ max.
- 1.3 Insulation Resistance: 10 0MΩ
- 1.4 Dielectric Withstanding Voltage: 100VAC

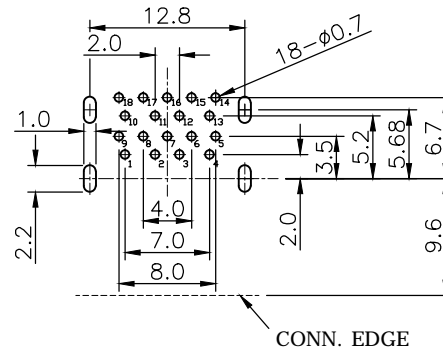
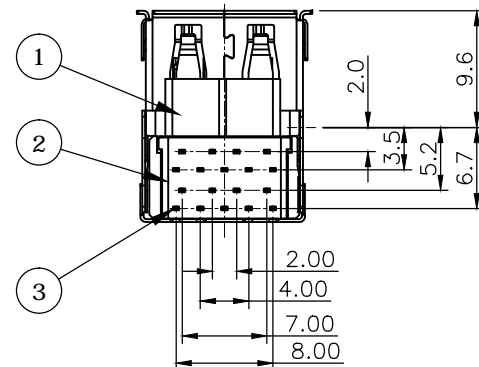
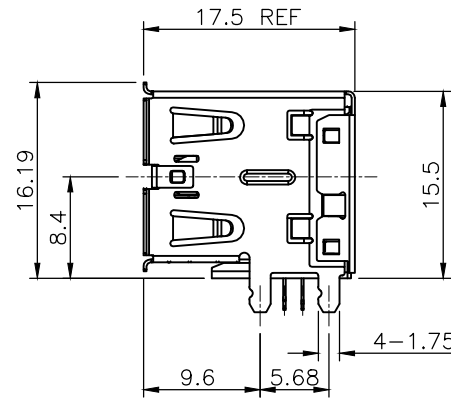
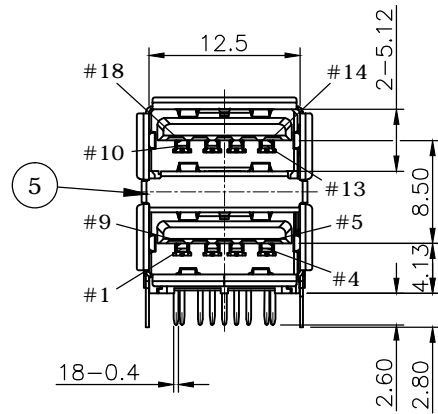
2. MECHANICAL

- 2.1 Mating Force: 35N max.
- 2.2 Unmating Force: initial 10N min., after 8N min.

3. ENVIRONMENTAL

- 3.1 Operating temperature range: - 40°C~+85°C

Pin Number	Signal Name	
1	10	VBUS
2	11	D-
3	12	D+
4	13	GND
5	14	SSRX-
6	15	SSRX+
7	16	GND
8	17	SSTX-
9	18	SSTX+
Shell		Shield



RECOMMENDED LAYOUT (TOP VIEW)
GENERAL TOLERANCE: ±0.05mm

5	MIDDLE SHELL	Stainless Steel		
4	SHELL	Stainless Steel, Nickel plating		
3	CONTACT	Copper Alloy, Gold plating on contact area Tin plating on solder tail, under plated Nickel		
2	COVER	LCP, UL94V-0, Blue		
1	HOUSING	LCP, UL94V-0, Blue		
UNLESS OTHERWISE SPECIFIED TOLERANCE				
UNIT:	DECIMAL	LINEAR	ANGLES	
	X.	±0.50	±5°	
	X.X	±0.25	±3°	
	X.XX	±0.12	±1°	
www.attend.com.tw				
DRAWN	Fros	2019/11/18	DRAWN NAME: USB 3.0 A Receptacle Dual Port DIP, G/F, LCP	
CHECKED	Tim	2019/11/18		
APPROVED	Ken	2019/11/18	PRODUCT NO. 209B-DA06	
SCALE	1.6/1	SHEET	1/1	FILE NAME 209B-DA06_B_1
		SIZE	A4	



ATTEND