

BoLink

Enclosure with wall brackets, IP40 (IP65)



BL 704015 WL2-9005

Order no.: 16174335

* = Available on request.

Characteristics

Colour of enclosure group

Black, similar to RAL 9005

Protection class

IP 40, 65

Enclosure Material

Enclosure: PC UL 94 V0 (PC V-0 material is flame-resistant, self-extinguishing and suitable for outdoor use; f1 listing acc. to UL 746C)

Seal: TPE

For details see technical information

Scope of delivery

Lid and base, 4 screws

Note

Upgradable to IP 65 with design seal BL_DI ([16374005](#) Black, [16374003](#) White, [16374001](#) Signal red, [16374002](#) Signal blue).

Technical documentation / Downloads

Technical drawings

3D product data in STEP format: 16174335 BL-704015-WL2-9005.stp (1.1 MB)

Drawing for mechanical processing: 16174335 BL-704015-WL2-9005-G.dxf (647.4 KB)

Milling contours are shown here as a DXF file. (Sub D, USB, HDMI, cable glands, ...)

Product drawing in PDF format: 16174335 BL-704015-WL2-9005.pdf (169.8 KB)

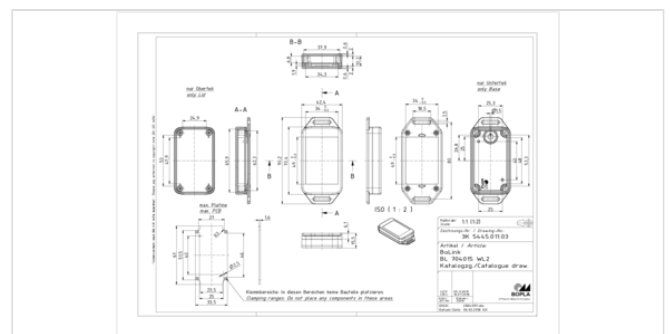
18.10.2022

Dimensions

Dimensions

70.4 x 42.4 x 15.5 mm

Product drawing



Product drawing in DXF format: 16174335 BL-704015-WL2-9005.dxf (1.3 MB)

Works Test Certificates

802 WPZ-BoLink DE.pdf (156.1 KB)

802 WPZ-BoLink EN.pdf (154.6 KB)

Product information

bolink en.pdf (483.7 KB)

Important!

To compensate for pressure when temperatures change and cause moisture in the enclosure, we recommend that you use a pressure compensation element.

» [Additional information](#)

Matching accessories



Design seal, IP65

16374005	BL 7040 DI-9005	Black
16374003	BL 7040 DI-9016	White
16374001	BL 7040 DI-3001	Signal red
16374002	BL 7040 DI-5005	Signal blue



Pressure compensation membrane DAE

52011000	DAE-D11	Self-adhesive membrane ø 11 mm
----------	---------	--------------------------------