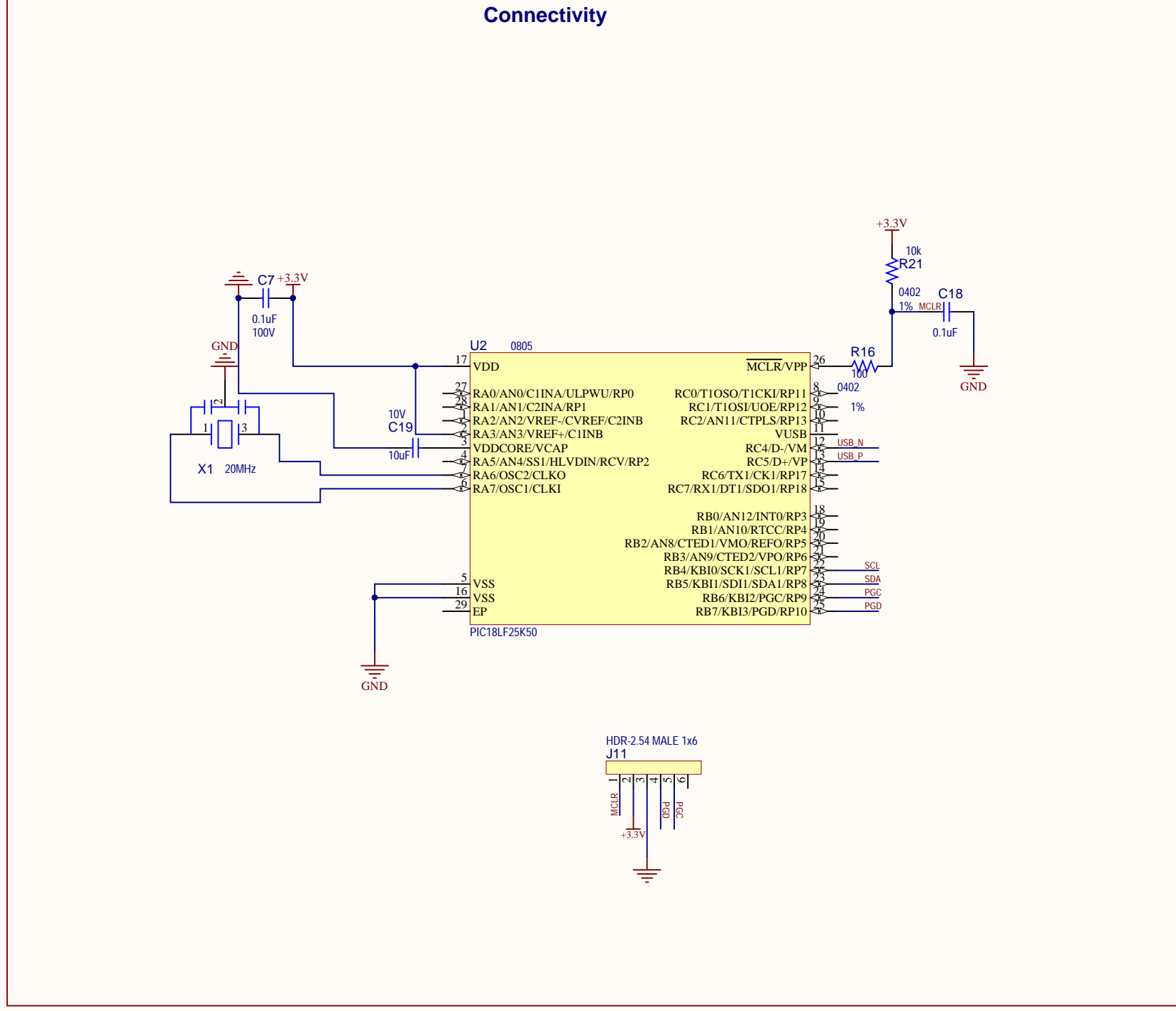


REV	ECO#	DESCRIPTION	DATE

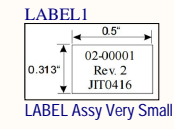
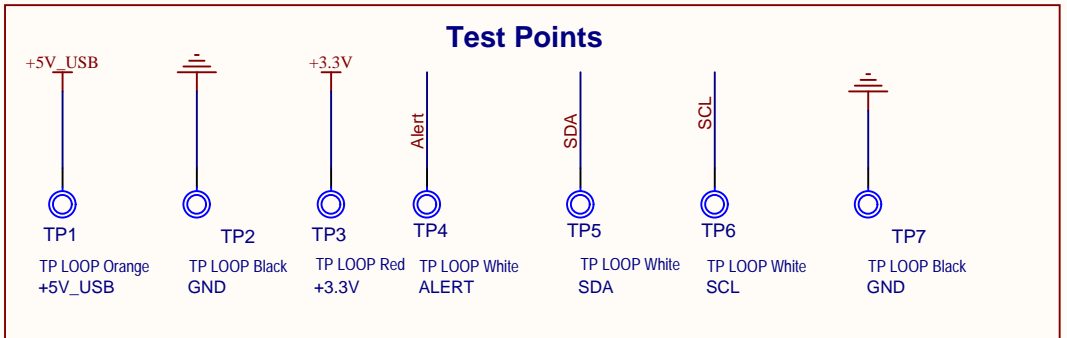
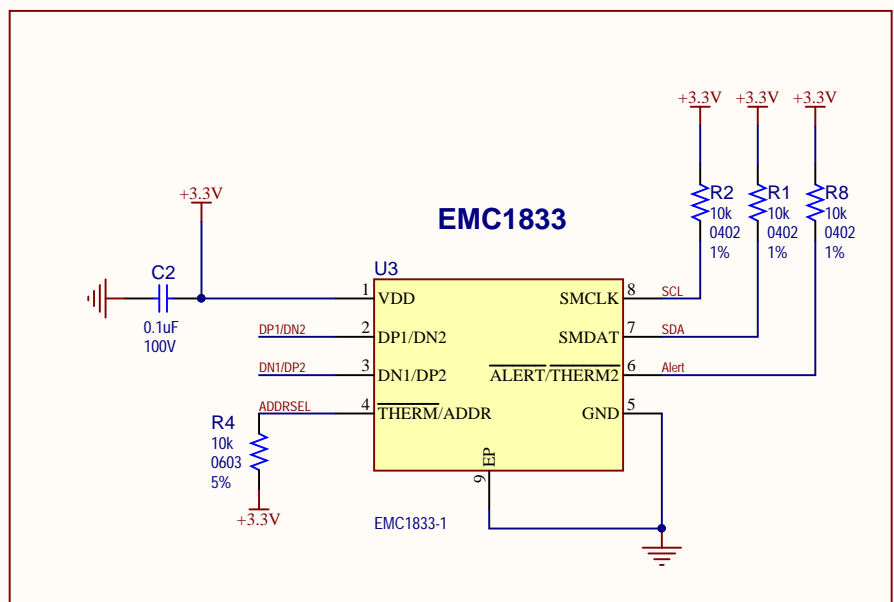
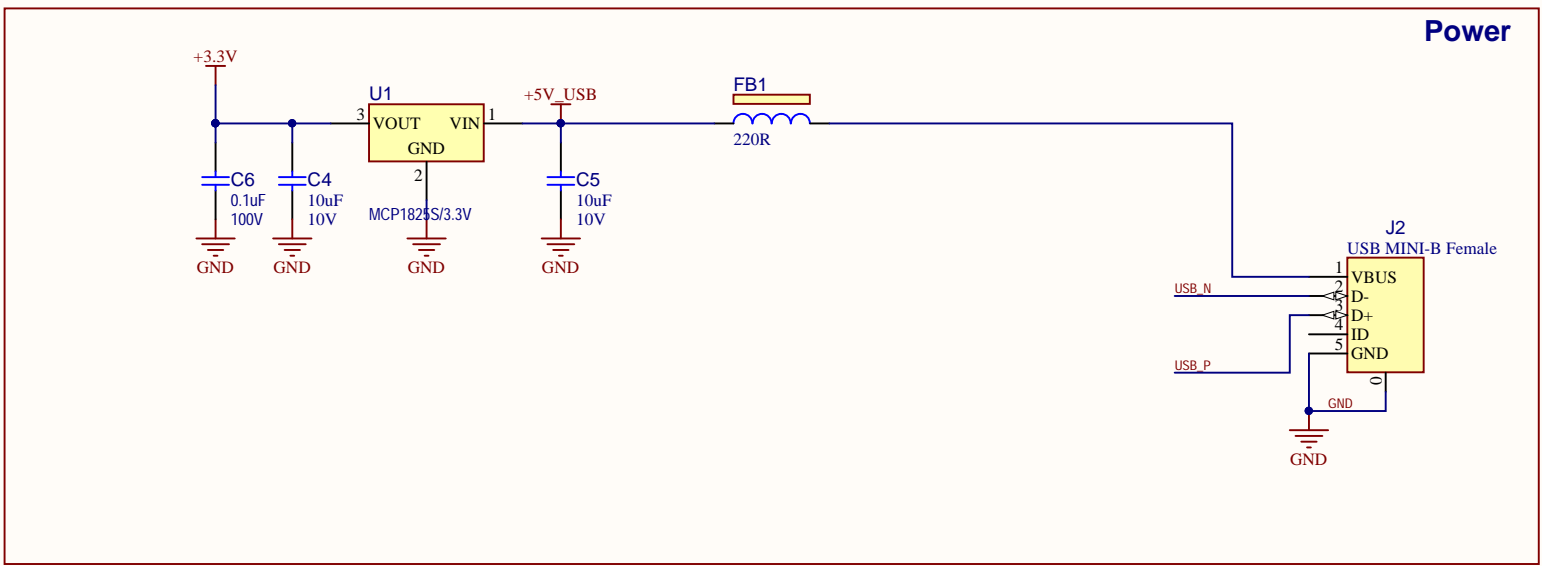
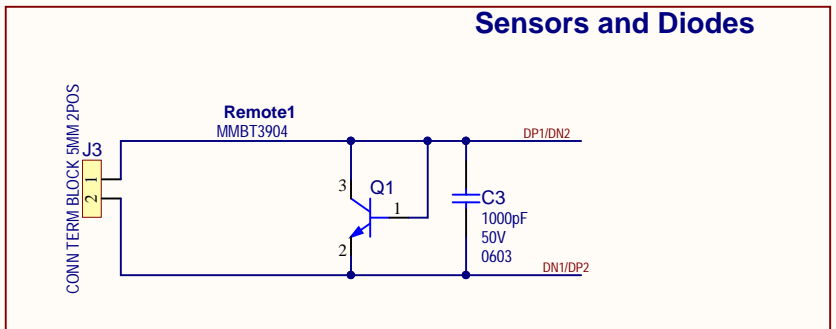


Drawn By: John Austin	
Engineer: John Austin	
PartNumber: ADM00773	Project Title <b>EMC1833 3-Channel Temperature Eval Board.</b>
Sheet Title <b>EMC1833 Interface Circuit</b>	
Size B	Sch #03-10567 Revision:2
Date: 2/9/2017 9:21:03 AM	Sheet 1 of 2
File: EMC1833 Interface Circuit Rev-1.SchDoc	

Designed with

Altium.com

REV	ECO#	DESCRIPTION	DATE



Drawn By: John Austin	
Engineer: John Austin	
PartNumber: ADM00773	Project Title <b>EMC1833 3-Channel Temperature Eval Board.</b>
Sheet Title <b>EMC1833 Main Circuit</b>	
Size B	Sch #03-10567 Date: 2/9/2017 9:21:03 AM
	Revision:2 Sheet 2 of 2
File: EMC1833 customer evaluation board Rev-1.SchDoc	

Designed with Altium.com