

6-1393292-3 ✓ ACTIVE



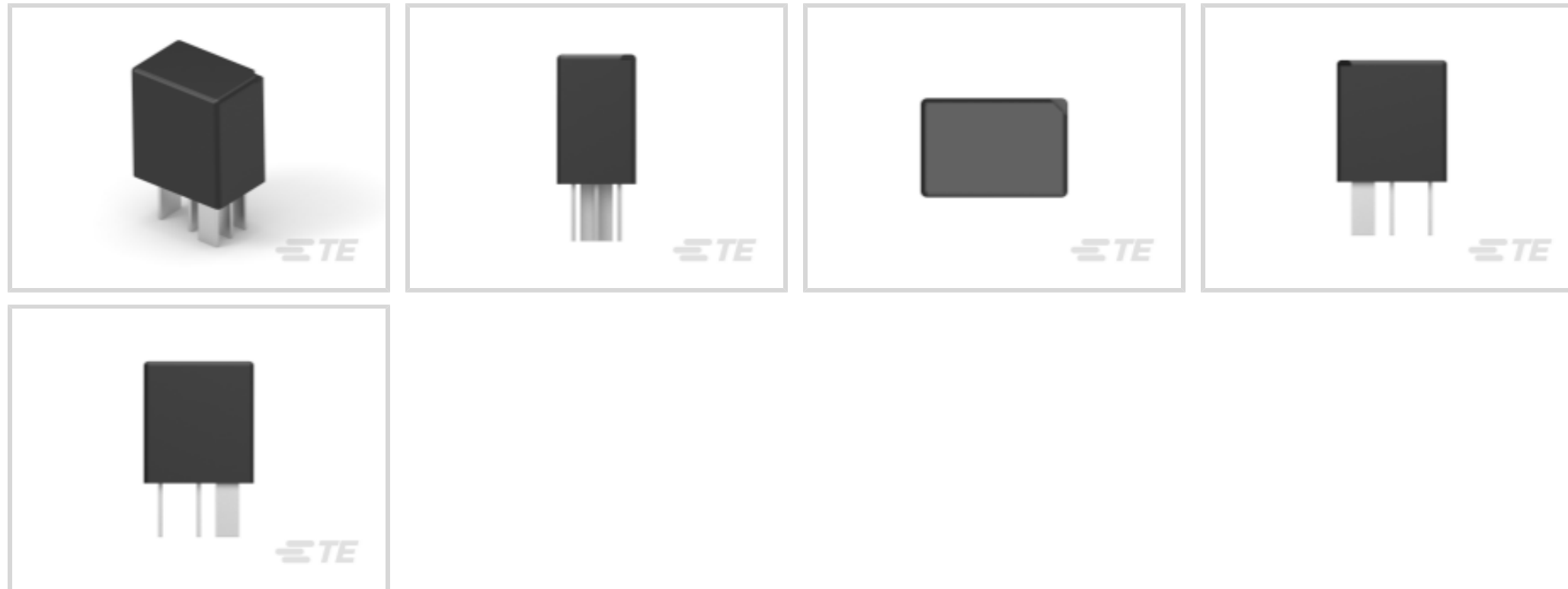
## Micro Relay A

TE Internal #: 6-1393292-3

Micro Relay A, Micro Relays, 24VDC Rated Coil Voltage, Micro Relay Contact Current Class 20 – 30 A, Micro Relay Contact Arrangement 1 Form C (CO)

[View on TE.com >](#)

Relays, Contactors & Switches > Relays > Automotive Relays > Automotive Plug-In Relays > Micro Relays



Rated Coil Voltage: **24 VDC**

Micro Relay Contact Current Class: **20 – 30 A**

Micro Relay Contact Arrangement: **1 Form C (CO)**

Micro Relay Coil Resistance: **436  $\Omega$**

Mounting Brackets: **Without**

## Features

### Product Type Features

Relay Type	Micro Relay K
------------	---------------

### Electrical Characteristics

Insulation Initial Dielectric Between Open Contacts	5000 Vrms
Current Rating (85°C)	25 A
Coil Power Rating Class	1 – 1.5 W
Insulation Initial Dielectric Between Contacts and Coil	500 Vrms
Contact Switching Load (Min)	1A @ 5V
Rated Coil Voltage	24 VDC
Micro Relay Coil Resistance	436 $\Omega$

### Contact Features

Contact Base Material	Ag Alloy
Micro Relay Contact Current Class	20 – 30 A
Micro Relay Contact Arrangement	1 Form C (CO)

### Mechanical Attachment



Mounting Type

Plug-In

### Dimensions

Width Class (Mechanical)

16 – 20 mm

Height

25.4 mm[1 in]

Length Class (Mechanical)

20 – 25 mm

Width

15.5 mm[.61 in]

Length

23 mm[.905 in]

### Usage Conditions

Environmental Category of Protection

IP54

### Other

Mounting Brackets

Without

## Product Compliance

[For compliance documentation, visit the product page on TE.com>](#)

EU RoHS Directive 2011/65/EU

Compliant

EU ELV Directive 2000/53/EC

Compliant

China RoHS 2 Directive MIIT Order No 32, 2016

No Restricted Materials Above Threshold

EU REACH Regulation (EC) No. 1907/2006

Current ECHA Candidate List: JUN 2020 (209)  
 Candidate List Declared Against: JUL 2019 (201)  
 Does not contain REACH SVHC

Halogen Content

Low Halogen - Br, Cl, F, I < 900 ppm per homogenous material. Also BFR/CFR/PVC Free

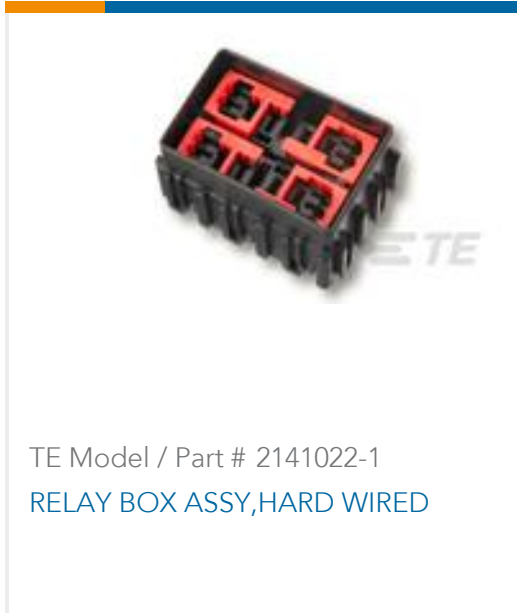
Solder Process Capability

Not applicable for solder process capability

#### Product Compliance Disclaimer

This information is provided based on reasonable inquiry of our suppliers and represents our current actual knowledge based on the information they provided. This information is subject to change. The part numbers that TE has identified as EU RoHS compliant have a maximum concentration of 0.1% by weight in homogenous materials for lead, hexavalent chromium, mercury, PBB, PBDE, DBP, BBP, DEHP, DIBP, and 0.01% for cadmium, or qualify for an exemption to these limits as defined in the Annexes of Directive 2011/65/EU (RoHS2). Finished electrical and electronic equipment products will be CE marked as required by Directive 2011/65/EU. Components may not be CE marked. Additionally, the part numbers that TE has identified as EU ELV compliant have a maximum concentration of 0.1% by weight in homogenous materials for lead, hexavalent chromium, and mercury, and 0.01% for cadmium, or qualify for an exemption to these limits as defined in the Annexes of Directive 2000/53/EC (ELV). Regarding the REACH Regulation, the information TE provides on SVHC in articles for this part number is based on the latest European Chemicals Agency (ECHA) 'Guidance on requirements for substances in articles' posted at this URL: <https://echa.europa.eu/guidance-documents/guidance-on-reach>

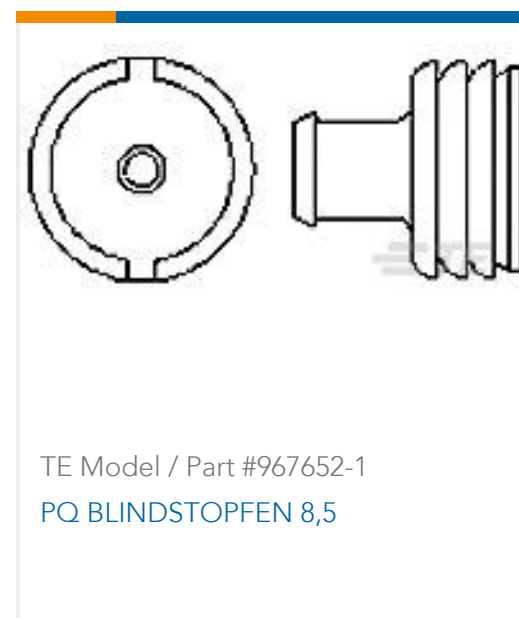
## Compatible Parts



## Also in the Series | Micro Relay A



## Customers Also Bought





## Documents

### Product Drawings

V23074A2002A403-EV-CBOX

English

### CAD Files

3D PDF

3D

Customer View Model

[ENG\\_CVM\\_CVM\\_6-1393292-3\\_O.2d\\_dxf.zip](#)

English

Customer View Model

[ENG\\_CVM\\_CVM\\_6-1393292-3\\_O.3d\\_igs.zip](#)

English

Customer View Model

[ENG\\_CVM\\_CVM\\_6-1393292-3\\_O.3d\\_stp.zip](#)

English

By downloading the CAD file I accept and agree to the [Terms and Conditions](#) of use.

### Datasheets & Catalog Pages

[MFINITY Version AUT](#)

English

[Automotive Relay Application Notes](#)

English

[MFINITY Modular Hard Wired Fuse and Relay Box](#)

English

[Micro Relay A, Micro ISO, Plug-in](#)

English

### Product Specifications

[Definitions Relays](#)

English