

15

1502 02

## Jack connectors



Jack chassis socket according to JEITA RC-5325A JC35C4A,  
3.5 mm, 4 poles/stereo, upright version, with solder eyes,  
for back side mounting

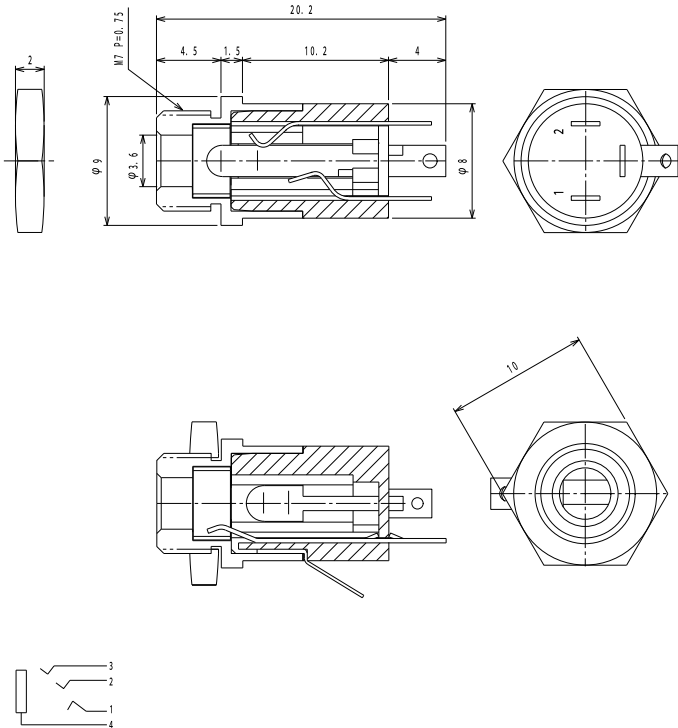
---

State: Active

---

15

1502 02



#### Environmental conditions

Temperature range -10 °C/+50 °C

#### Materials

Insulating body	PBT GF, V-0 according to UL94
Contact spring	Cu alloy, nickel-plated/gold-plated
Insulation	PVC
Housing	Cu alloy, nickel-plated
Hexagonal nut	steel, nickel-plated

#### Mechanical data


Mating cycles	≥ 5000
Insertion force	3–30 N (4–40 N initial value) <sup>1</sup>
Withdrawal force	3–30 N (4–40 N initial value) <sup>1</sup>

<sup>1</sup> measured with a gauge plug

#### Electrical data (at T<sub>amb</sub> 20 °C)

Contact resistance	≤ 50 mΩ
Rated current	1 A
Rated voltage	12 V DC
Rated impulse voltage	500 V/60 s
Insulation resistance	≥ 100 MΩ

#### Associated products

Counterparts  
 1532 02

15

1502 02

Designation	Pole Number	PU (Pieces)	MDQ (Pieces)
1502 02	4	500	500

**Packaging:**

in bulk, in a cardboard box or a plastic bag