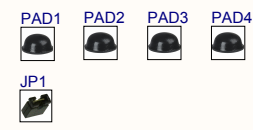
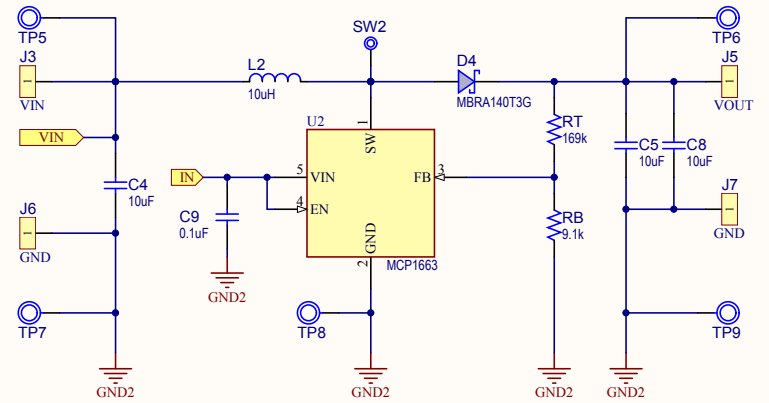
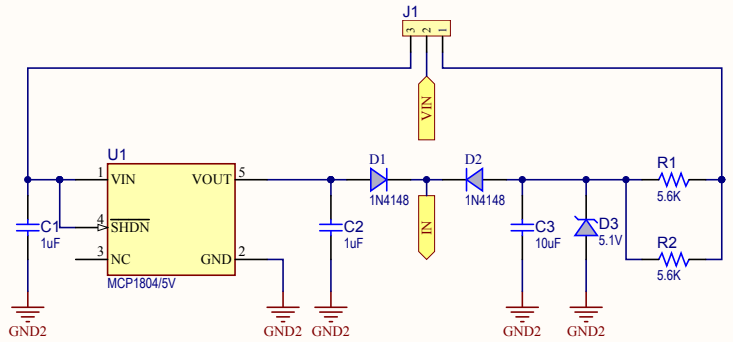
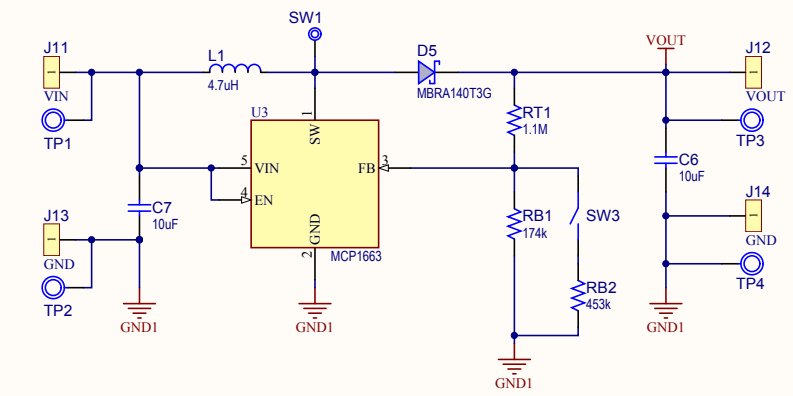




REV	ECO#	DESCRIPTION	DATE



Drawn By: Ponova Stefan			
Engineer: Ponova Stefan			
PartNumber: ADM00664		Project Title <b>MCP1663 Evaluation Board</b>	
Sheet Title <b>MCP1663</b>			
Size B	Sch #: #03-10412	Date: 2/16/2015 1:18:59 PM	Revision: 1
File: MCP1663 Evaluation Board ADM00664-SchDoc		Sheet 1 of 1	
			Designed with  <a href="http://Altium.com">Altium.com</a>