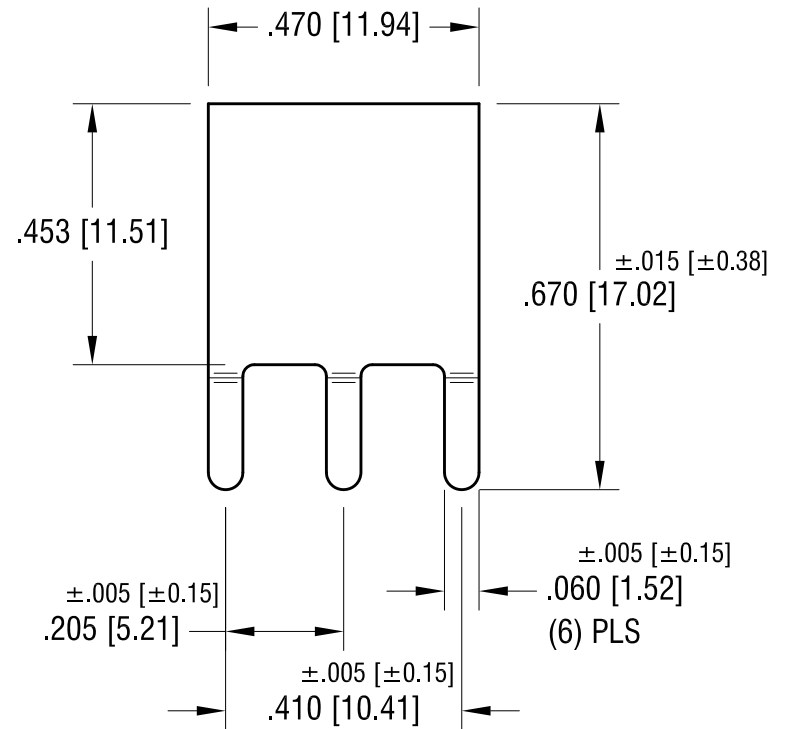
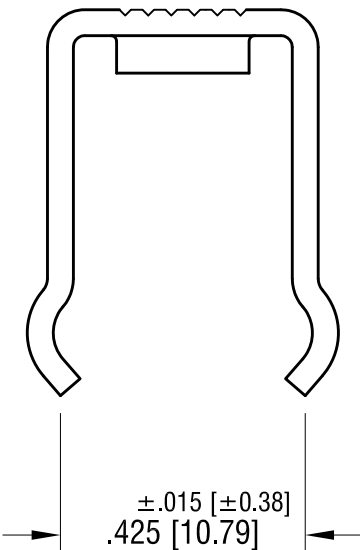
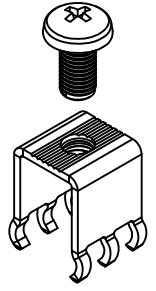
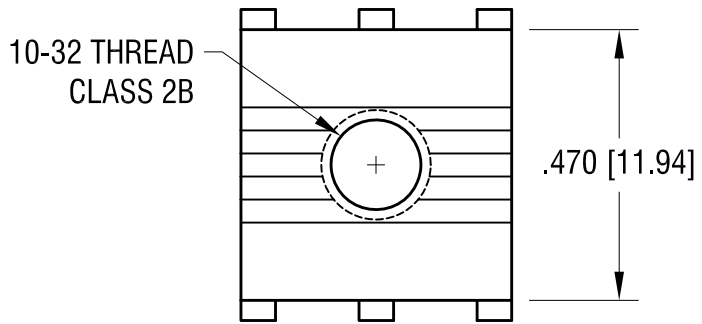
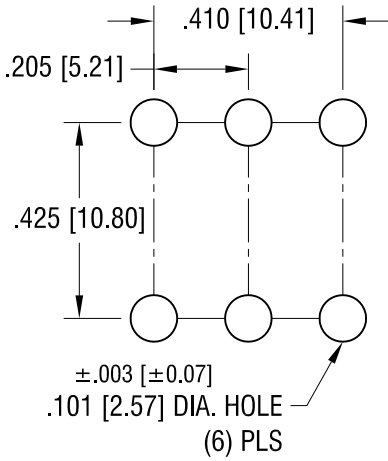


THIS DOCUMENT IS THE PROPERTY OF KEYSTONE ELECTRONICS CORP. AND SHALL NOT BE REPRODUCED, DISTRIBUTED OR USED AS A BASIS FOR MANUFACTURE WITHOUT PRIOR WRITTEN PERMISSION FROM KEYSTONE ELECTRONICS CORP.

MOUNTING DETAIL



NOTE:

- 1. TERMINAL:
 MAT'L - .045 [1.14] TH'K BRASS, MATTE TIN PLATE
 SCREW : ONE (1) 10-32 x 3/8 L., SUPPLIED LOOSE.
 MAT'L - STAINLESS STEEL
 FINISH - NONE

KEYSTONE ELECTRONICS CORP.			
www.keyelco.com • ASTORIA, N.Y. 11105-2017 • Tel (718) 956-8900			
PART NAME		PC SCREW TERMINAL	
MATERIAL		AS NOTED	
FINISH	AS NOTED	DRN BY	BOONE
		DATE	3.19.99
		APP'D	LN
		SCALE	3X
TOLERANCES	INCH [MM]	CODE	DWG NO.
DECIMAL	± .010 [± 0.25]	C	8196
ANGULAR	± 1°		
UNLESS OTHERWISE SPECIFIED			

7.15.09	CHANGE AS PER ECN 09-102	D
1.2.08	CHANGE AS PER ECN 08-001	C
DATE	DESCRIPTION	REV.