



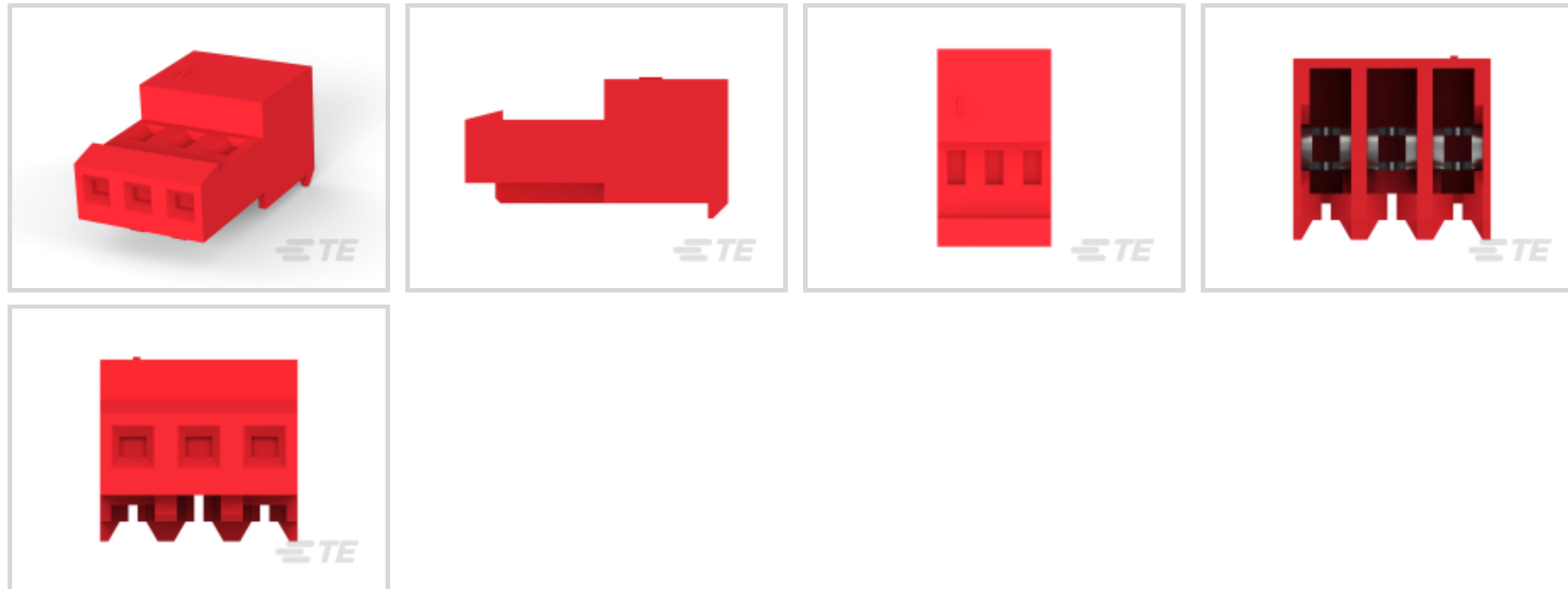
MTA | MTA 100

TE Internal #: 3-640440-3

MTA 100, Standard Rectangular Connectors, Connector Assembly, Receptacle, Mating Retention, Locking Ramp Mating Retention Type

[View on TE.com >](#)

Connectors > Rectangular Connectors > Standard Rectangular Connectors



Connector Product Type: **Connector Assembly**

Connector & Housing Type: **Receptacle**

Mating Alignment: **Without**

Mating Retention: **With**

Mating Retention Type: **Locking Ramp**

Features

Product Type Features

Product Style	Assembly
Shape	Rectangular
Wire/Cable Type	Stranded
Connector Type	Connector Assembly
Housing Type	Receptacle
Connector Product Type	Connector Assembly
Connector & Housing Type	Receptacle
Connector System	Wire-to-Board
Insertion Force Type	Normal
Sealable	No
Connector & Contact Terminates To	Wire & Cable

Configuration Features

Number of Cavities	3
Number of Positions	3



Number of Rows	1
Panel Gasket	Without

Electrical Characteristics

Operating Voltage	250 VAC
-------------------	---------

Contact Features

Contact Layout	In-line
Contact Type	Female
Wire Contact Termination Area Plating Material	Tin
Contact Underplating Material	Nickel
Contact Mating Area Plating Material	Tin
Contact Retention Within Housing	With
Contact Current Rating (Max)	5 A

Termination Features

Termination Method to Wire & Cable	Insulation Displacement Crimp (IDC)
------------------------------------	-------------------------------------

Mechanical Attachment

Panel Mount	No
Contact Retention Type Within Housing	Locking Lance
Panel Mount Feature	Without
Mating Alignment	Without
Mating Retention	With
Mating Retention Type	Locking Ramp
Connector Mounting Type	Cable Mount (Free-Hanging)

Housing Features

Housing Color	Red
Housing Material	Nylon
Centerline (Pitch)	2.54 mm[.1 in]

Dimensions

Width	6.99 mm[.275 in]
Height	13.21 mm[.52 in]
Length	7.62 mm[.3 in]
Wire Size	.3 – .4 mm ²

Usage Conditions



Operating Temperature Range	-55 – 105 °C[-67 – 221 °F]
-----------------------------	----------------------------

Operation/Application

Shielded	No
Circuit Application	Signal

Industry Standards

CSA Rating	Certified
Agency/Standard	CSA, UL
UL Rating	Recognized
CSA File Number	LR 7189
UL File Number	E28476
UL Flammability Rating	UL 94V-2

Packaging Features

Packaging Quantity	500
Packaging Method	Bag/Box

Product Compliance

[For compliance documentation, visit the product page on TE.com>](#)

EU RoHS Directive 2011/65/EU	Compliant
EU ELV Directive 2000/53/EC	Compliant
China RoHS 2 Directive MIIT Order No 32, 2016	No Restricted Materials Above Threshold
EU REACH Regulation (EC) No. 1907/2006	Current ECHA Candidate List: JUN 2020 (209) Candidate List Declared Against: JUN 2020 (209) Does not contain REACH SVHC
Halogen Content	Low Halogen - Br, Cl, F, I < 900 ppm per homogenous material. Also BFR/CFR/PVC Free
Solder Process Capability	Not applicable for solder process capability

Product Compliance Disclaimer

This information is provided based on reasonable inquiry of our suppliers and represents our current actual knowledge based on the information they provided. This information is subject to change. The part numbers that TE has identified as EU RoHS compliant have a maximum concentration of 0.1% by weight in homogenous materials for lead, hexavalent chromium, mercury, PBB, PBDE, DBP, BBP, DEHP, DIBP, and 0.01% for cadmium, or qualify for an exemption to these limits as defined in the Annexes of Directive 2011/65/EU (RoHS2). Finished electrical and electronic equipment products will be CE marked as required by Directive 2011/65/EU. Components may not be CE marked. Additionally, the part numbers that TE has identified as EU ELV compliant have a maximum concentration of 0.1% by weight in homogenous materials for lead, hexavalent chromium, and mercury, and 0.01% for cadmium, or qualify for an exemption to these limits

as defined in the Annexes of Directive 2000/53/EC (ELV). Regarding the REACH Regulation, the information TE provides on SVHC in articles for this part number is based on the latest European Chemicals Agency (ECHA) 'Guidance on requirements for substances in articles' posted at this URL: <https://echa.europa.eu/guidance-documents/guidance-on-reach>

Compatible Parts



TE Part # 2-644803-3
03P MTA100 SHRDR HDR ASSY RA FL



TE Part # 647000-3
03P MTA100 PSTD CONN ASSY SN



TE Part # 58579-1
MTA 100 MANUAL TOOL ASSEMBLY DISCRETE



TE Part # 58074-1
MTA 50/100/156 MANUAL TOOL FRAME



TE Part # 3-647051-3
03P MTA100 HRD ASSYF/L HT LF



TE Part # 58246-1
MTA 100 CRIMP HEAD REPAIR DISCRETE



TE Part # 3-647002-3
03P MTA100 PSTD CONN ASSY LF



TE Part # 640452-3
03P MTA100 HDR ASSY SQ STR



TE Part # 3-644457-3
03P MTA100 HDR ASSY R/A NARROW



TE Part # 3-644695-3
03P MTA100 STR HDR RETENTIVE



TE Part # 644874-3
03P MTA100 HDR ASSY, SPCL BEND



TE Part # 2-644488-3
03P MTA100 SHRDR HDR F/L R/A SN



TE Part # 3-647000-3
03P MTA100 PSTD CONN ASSY LF



TE Part # 2-644486-3
03P MTA100 SHRDED HDR ASSY SN



TE Part # 640453-3
03P MTA100 HDR ASSY SQ R/A



TE Part # 3-647630-3
03P MTA100 HRD ASSY F/L LF



TE Part # 2-644861-3
03P MTA100 SHRD HDR,W/O PEG SN



TE Part # 3-647166-3
3P MTA100 HDR ASSY,SM,FL,LF




TE Part # 640455-3
03P MTA100 HDR ASSY SQ R/A POL



TE Part # 643077-3
03P MTA100 MOLDED COVER F/T

Also in the Series | **MTA 100**




Insertion & Extraction Tools(2)




PCB Connector Covers(107)



PCB Connector Keying(1)



Standard Rectangular Connectors (1730)



Wire-to-Board Connector Contacts(18)



Wire-to-Board Headers & Receptacles (1182)

Customers Also Bought



TE Part #58074-1
MTA 50/100/156 MANUAL TOOL FRAME



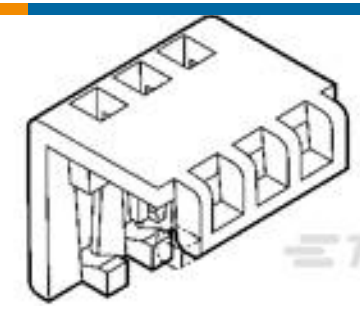
TE Part #58246-1
MTA 100 CRIMP HEAD REPAIR DISCRETE



TE Part #3-640426-2
02P MTA156 CONN ASSY 18AWG ORA



TE Part #3-640426-3
03P MTA156 CONN ASSY 18AWG ORA



TE Part #643075-3
03P MTA100 MOLDED COVER



TE Part #3-640440-4
04P MTA100 CONN ASSY 22AWG RED



TE Part #640456-6
06P MTA100 HDR ASSY F/L SQ STR



TE Part #3-640440-2
02P MTA100 CONN ASSY 22AWG RED



Documents

Product Drawings

03P MTA100 CONN ASSY 22AWG RED

English

CAD Files

3D PDF

3D

Customer View Model

[ENG_CVM_CVM_3-640440-3_L.2d_dxf.zip](#)

English

Customer View Model

[ENG_CVM_CVM_3-640440-3_L.3d_igs.zip](#)

English

Customer View Model

[ENG_CVM_CVM_3-640440-3_L.3d_stp.zip](#)

English

By downloading the CAD file I accept and agree to the [Terms and Conditions](#) of use.

Datasheets & Catalog Pages

MTA, CST-100 II, SL-156 and AMP Economy Power (EP) Connectors

English

Product Specifications

Application Specification

English

Product Environmental Compliance

[MD_3-640440-3_06072018134_dmtec](#)

English

[MD_3-640440-3_06072018134_dmtec](#)

English

Agency Approvals

CSA Certificate

English