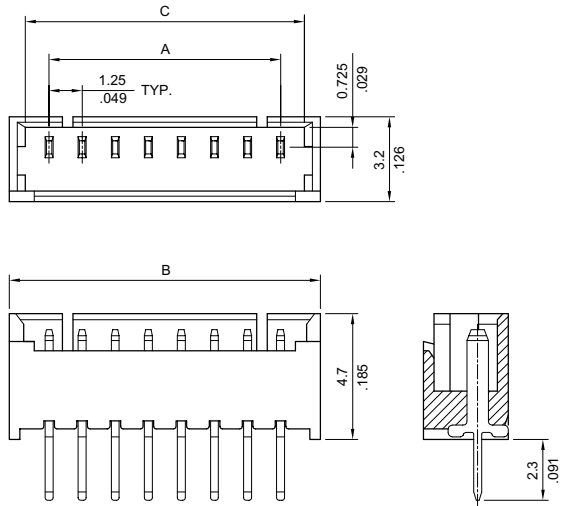


CI44 Series 1.25mm(.049") Pin Header

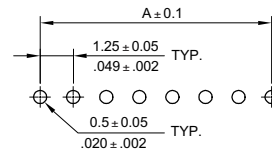
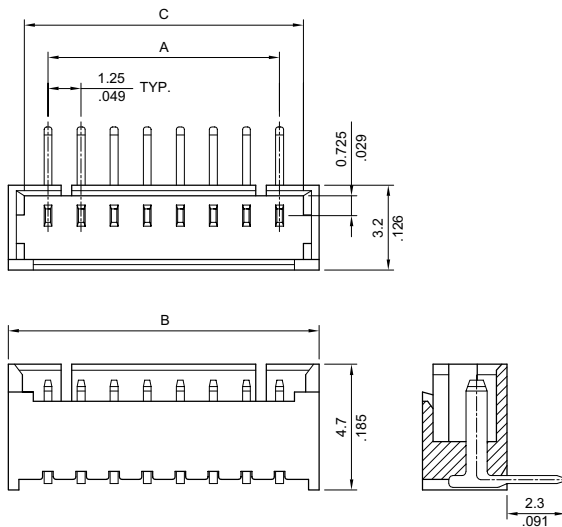
- ⊙ Polarization and Low-profile
- ⊙ Locking slots provide secure mating
- ⊙ Mate with CI44 housing

Construction

- ⊙ Insulator: Nylon 66 UL 94V-0, Color Nature
- ⊙ With Tin-lead plated DIP type pin



| Circuits | Dimension | | |
|----------|-------------|------------|-------------|
| | A | B | C |
| 2 | 1.25(.049) | 4.3(.169) | 2.95(.116) |
| 3 | 2.5(.098) | 5.5(.217) | 4.2(.165) |
| 4 | 3.75(.148) | 6.8(.268) | 5.45(.215) |
| 5 | 5.0(.197) | 8.0(.315) | 6.7(.264) |
| 6 | 6.25(.246) | 9.3(.366) | 7.95(.313) |
| 7 | 7.5(.295) | 10.5(.413) | 9.2(.362) |
| 8 | 8.75(.344) | 11.8(.465) | 10.45(.411) |
| 9 | 10.0(.394) | 13.0(.512) | 11.7(.461) |
| 10 | 11.25(.443) | 14.3(.563) | 12.95(.510) |
| 11 | 12.5(.492) | 15.5(.610) | 14.2(.559) |
| 12 | 13.75(.541) | 16.8(.661) | 15.45(.608) |
| 13 | 15.0(.591) | 18.0(.709) | 16.7(.657) |
| 14 | 16.25(.640) | 19.3(.760) | 17.95(.707) |
| 15 | 17.5(.689) | 20.5(.807) | 19.2(.756) |



Recommended P.C. Board Layout

Ordering Code

1 **CI44** **2** **15** **3** **P** **4** **1** **5** **V** **6** **00**

- 1** Series No.
- 2** No. of Circuits: 02 to 15
- 3** P= DIP type pin header
- 4** Plating code:
1= Tin-lead over Nickel
- 5** Type: V= Straight
H= Right angle
- 6** Other options: 00= Standard
*Special option Consult manufacturer