

Material :

Housing: PBT UL 94V-0, Nature Color
 Inner Plastic: PBT UL 94V-0, Red Color
 Rubber Seal: Silicone Rubber
 Seal Ring: Silicone Rubber

Ordering Code:

CPB2 ** P * R 00
 ① ② ③ ④ ⑤ ⑥

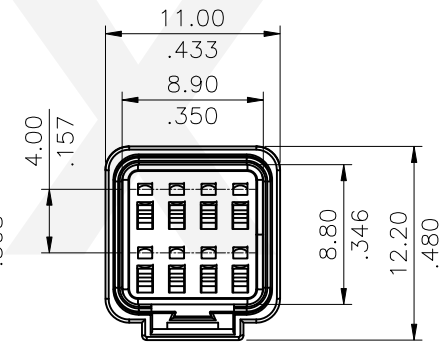
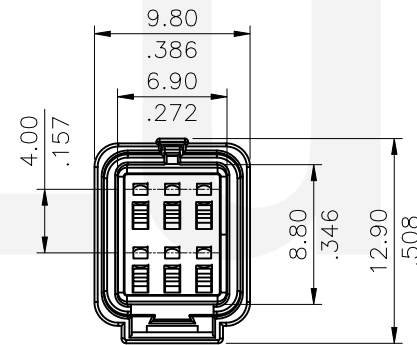
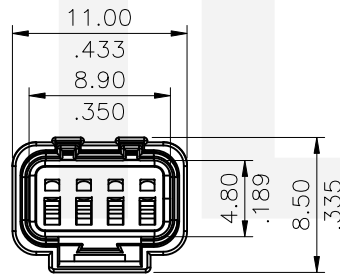
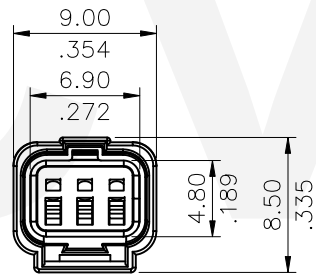
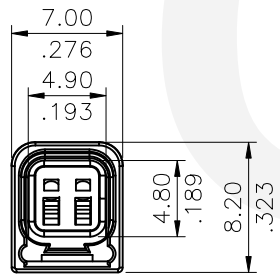
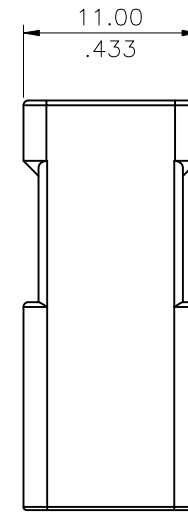
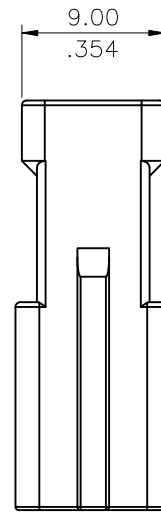
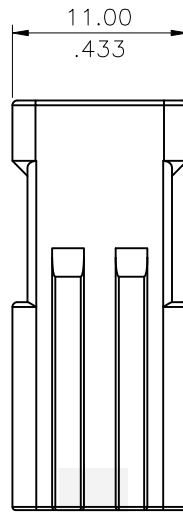
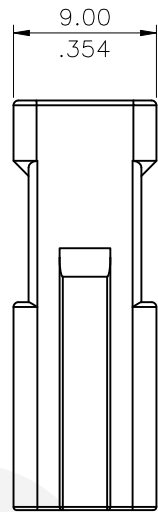
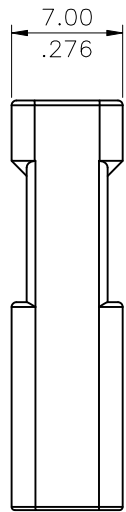
- ① Series No.
- ② No. of Circuits: 02, 03, 04, 06, 08 Pin
- ③ P= Plug Housing
- ④ 0= Single Row (2P, 3P, 4P only)
D= Dual Row (6P, 8P only)
- ⑤ R= Rubber Seal
- ⑥ Other Option: 00= Standard

Circuits	Dimension
	A
2	-
3	4.00(.157)
4	6.00(.236)
6	4.00(.157)
8	6.00(.236)

RoHS Compliant

SYM	NAME	DATE	REVISIONS	APPROVED BY:	DATE	UNIT: mm / inch	TITLE:	CviLux Corporation			
4							CPB2 Series Plug Housing	瀚荃股份有限公司 CviLux Corporation			
3											
2								DRAWING NO. CPB203SA PART NO. CPB2**POR00 CPB2**PDR00			
1	Clark	07/15-20	ECNT120185	Eisley	7/24-20'						
								SCALE	4 / 1	SHEET	1 OF 2

CIVILUX
 2020.07.30
 ISSUED



02 PIN

03 PIN

04 PIN

06 PIN

08 PIN

RoHS Compliant

4					DATE	UNIT: mm / inch	TITLE:	瀚荃股份有限公司 CviLux Corporation			
3					DRAWN BY: Clark	TOLERANCE UNLESS OTHERWISE SPECIFIED	CPB2 Series Plug Housing				
2					ENGINEER: Clark	.X ± 0.30/.012 .X' ± r'	MATERIAL:	DRAWING NO. CPB203SA	PART NO.	CPB2**POR00 CPB2**PDR00	
1	Clark	07/15-20	ECNT120185		CHECKED BY: Eisley	.XX ± 0.20/.008 .X' ±	FINISH:	SCALE	2 / 1	SHEET 2 OF 2	
SYM	NAME	DATE	REVISIONS		APPROVED BY: Eisley	.XXX ± 0.10/.004 .XX' ±					

CVILUX
 2020.07.30
 ISSUED