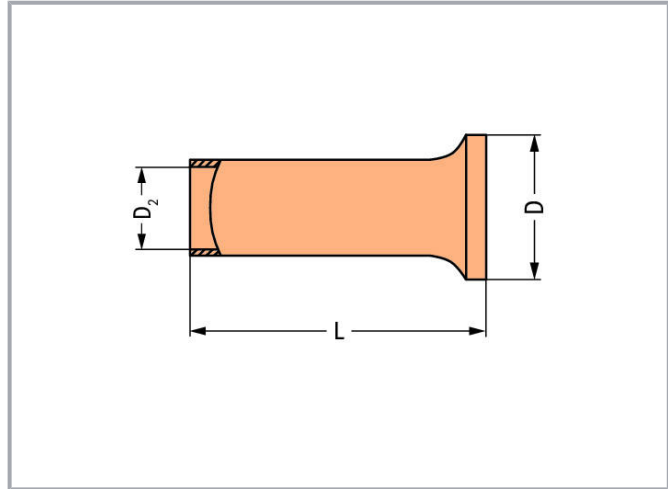


Data sheet | Item number: 216-108

Ferrule; Sleeve for 6 mm² / AWG 10; uninsulated; electro-tin plated; silver-colored



www.wago.com/216-108



Data

Technical data

Main product function	Ferrule
Sleeve cross-section (AWG)	10 AWG

Subject to changes. Please also observe the further product documentation!

WAGO Kontakttechnik GmbH & Co. KG
Hansastr. 27
32423 Minden
Phone: +49571 887-0 | Fax: +49571 887-169
Email: info.de@wago.com | Web: www.wago.com

Do you have any questions about our products?
We are always happy to take your call at +49 (571) 887-44222.



Sleeve for	6 mm ²
------------	-------------------

Connection data

Strip length	12 mm / 0.47 inch
--------------	-------------------

Physical data

Length	12 mm
--------	-------

Diameter	4.7 mm
----------	--------

Diameter 2	3.5 mm
------------	--------

Material data

Color	silver-colored
-------	----------------

Weight	0.2 g
--------	-------

Commercial data

Product Group	2 (Terminal Block Accessories)
---------------	--------------------------------

Packaging type	BOX
----------------	-----

Country of origin	DE
-------------------	----

GTIN	4017332277709
------	---------------

Customs tariff number	85369010000
-----------------------	-------------

Downloads**Documentation****Bid Text**

216-108 doc - Datei	Sep 11, 2017	doc 24.6 kB	Download
------------------------	--------------	----------------	----------

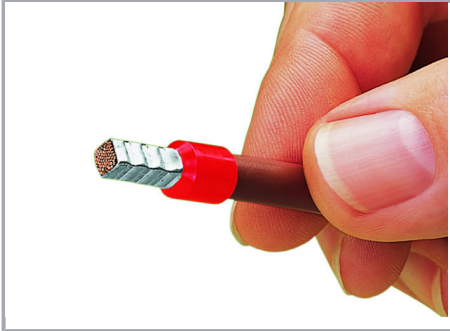
216-108 X81 - Datei	Feb 19, 2019	xml 2.8 kB	Download
------------------------	--------------	---------------	----------

Environmental Product Compliance**Compliance Search**

Environmental Product Compliance 216-108 Ferrule; Sleeve for 6 mm ² / AWG 10; uninsulated; electro-tin plated; silver-colored	URL	Download
---	-----	----------

Subject to changes. Please also observe the further product documentation!

Installation Notes



A perfect gas-tight crimp – both electrically and mechanically reliable

Subject to changes. Please also observe the further product documentation!