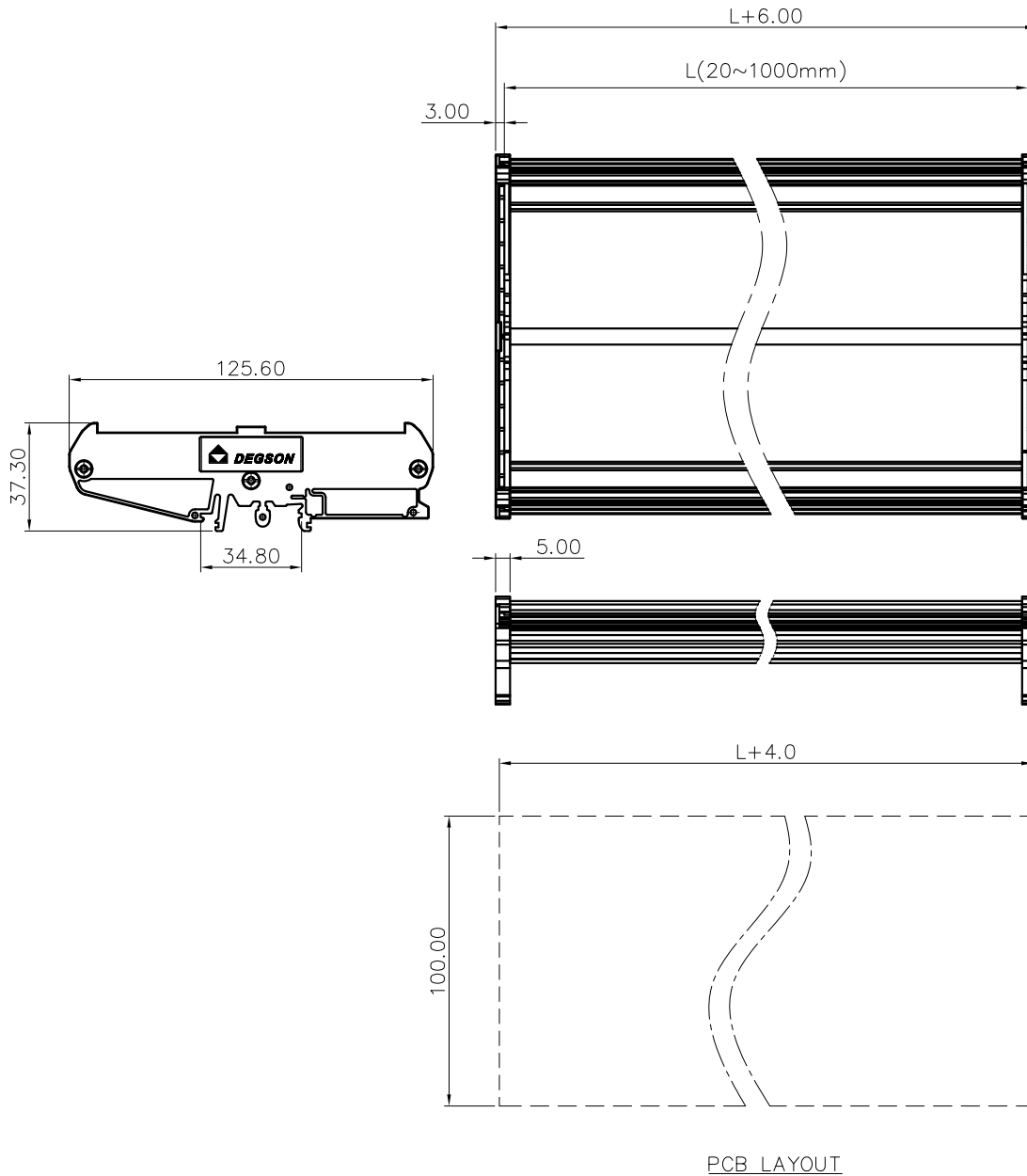


REVISION RECORD

REV	ECN	DESCRIPTION	DRFT	DATE
-----	-----	-------------	------	------

H
G
F
E
D
C
B
A

H
G
F
E
D
C
B
A

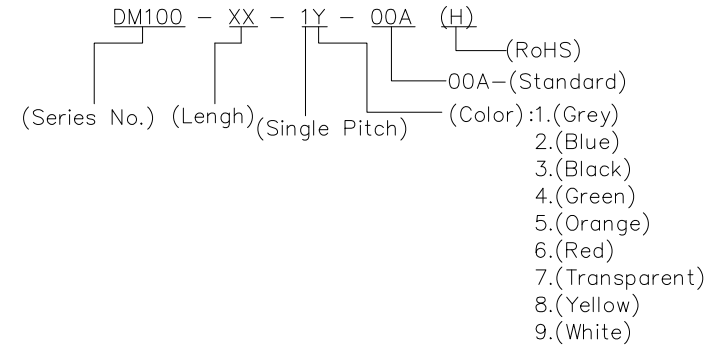


NOTES:

- 1.Dimension shall be interpreted per ASME Y14.5-2009
- 2.Operating temperature: $-20^{\circ}\text{C}\sim +50^{\circ}\text{C}$
- 3.Undimensioned tolerances:

Pitch Range In mm		Nominal Dimension Range In mm				-	\cap	\square
To	Over	Over	Over	Over	Over			
6	6	10	30	60	100			
TO	TO	TO	TO	TO	TO			
6	10	24	30	60	100			
± 0.15	± 0.25	± 0.30	± 0.30	± 0.50	± 0.70	± 1.00	± 1.30	$\pm 2'$

4.RoHS Compliance



DETACHED LISTS	PART NO.:	宁波高松电子有限公司 NINGBO DEGSON ELECTRICAL CO., LTD			
	APPD:	NAME: DM100-XX-1Y-00A(H)			
	CHKD:	TITLE: CUSTOMER DRAWING			
	DRFT:	DRAWING NO.:		REV	DO
		MM (INCH)	SHEET	1/1	
THIRD ANGLE PROJECTION			SCALE	1:1	