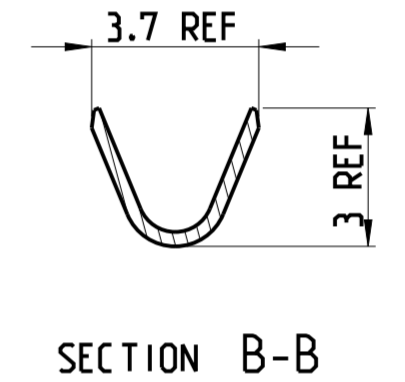
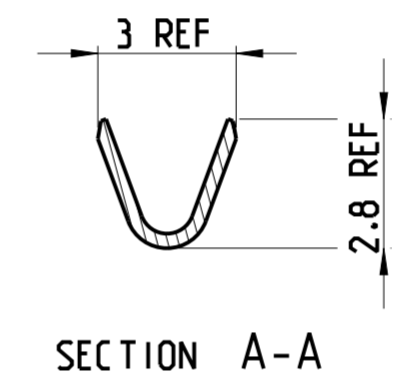
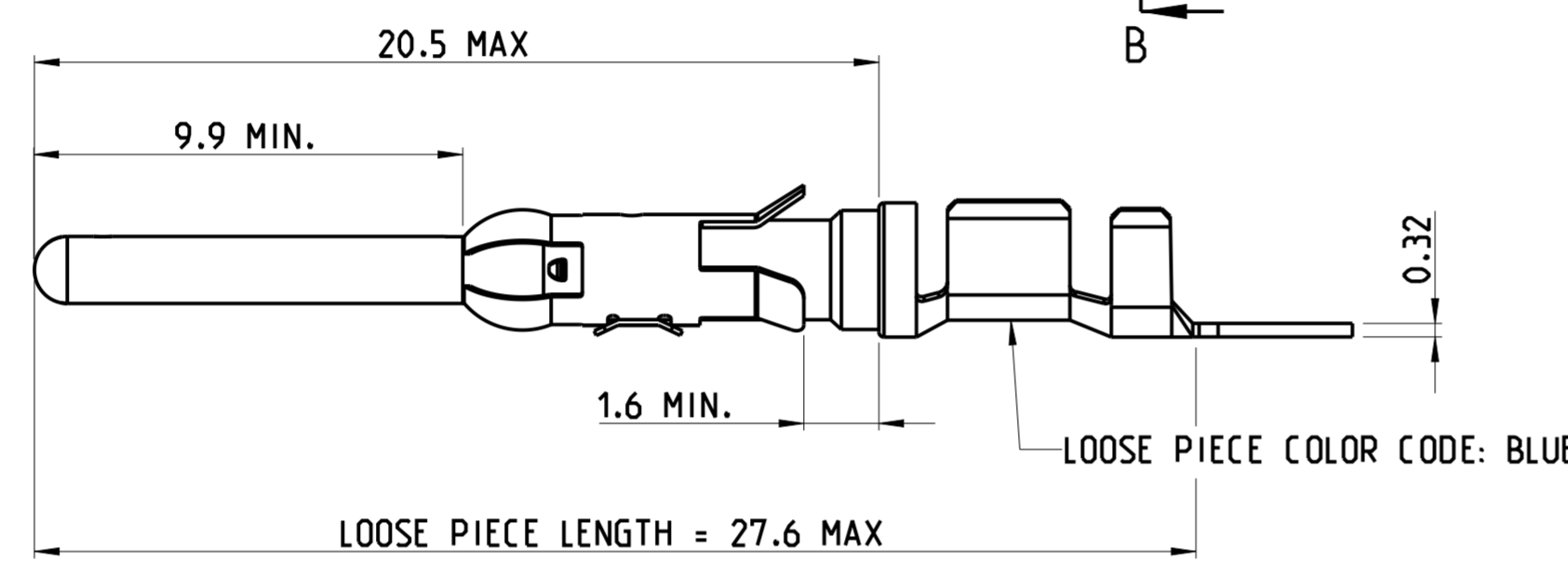
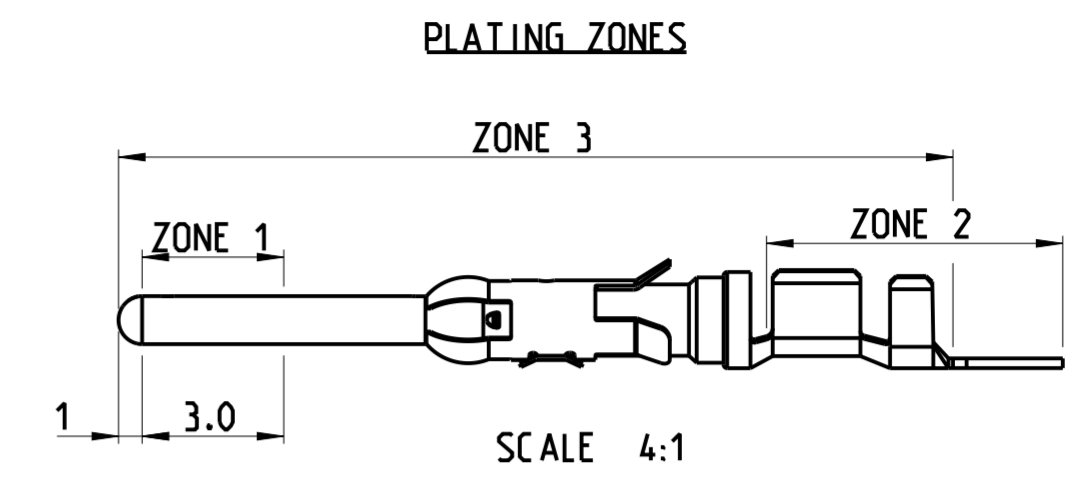
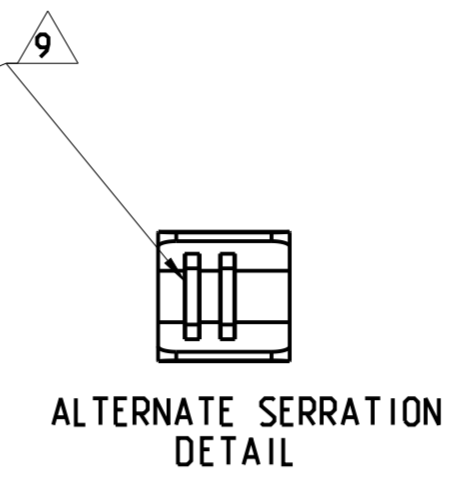
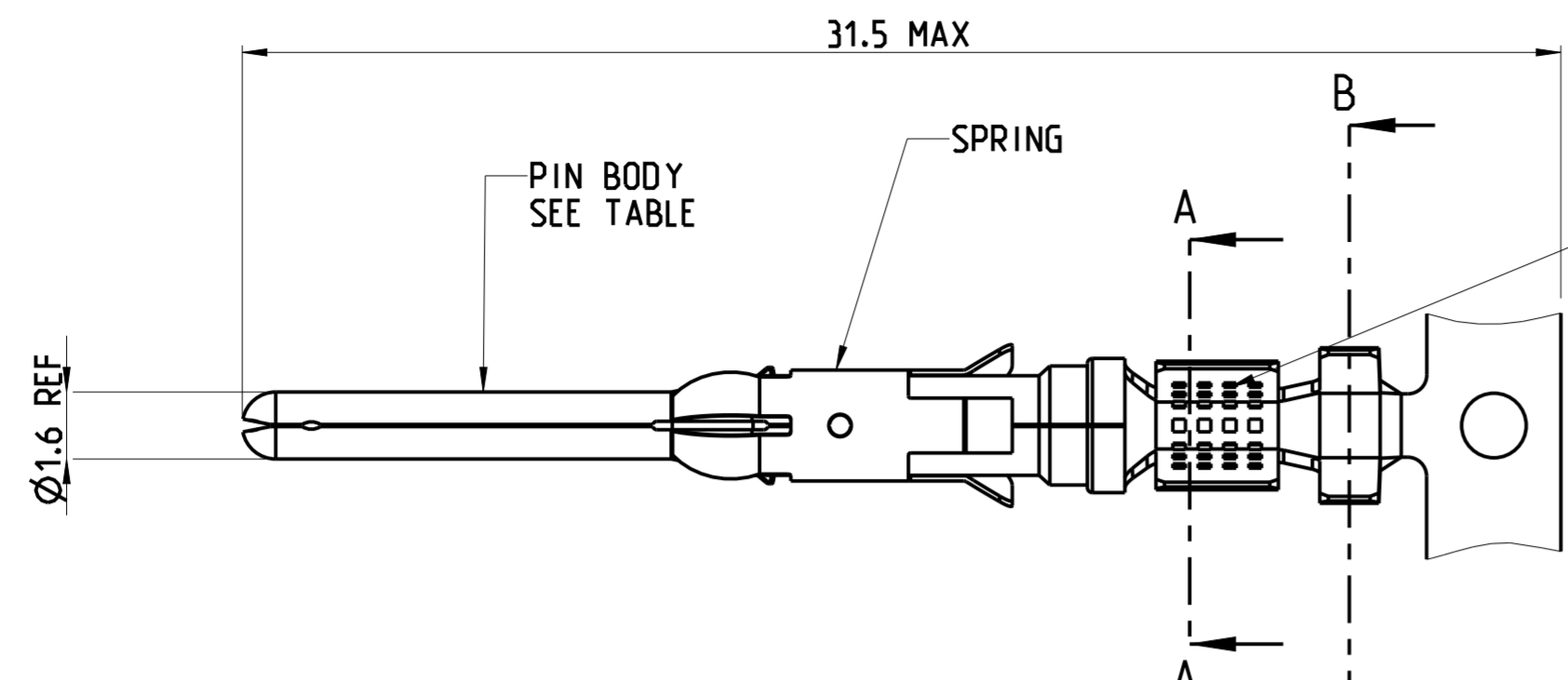


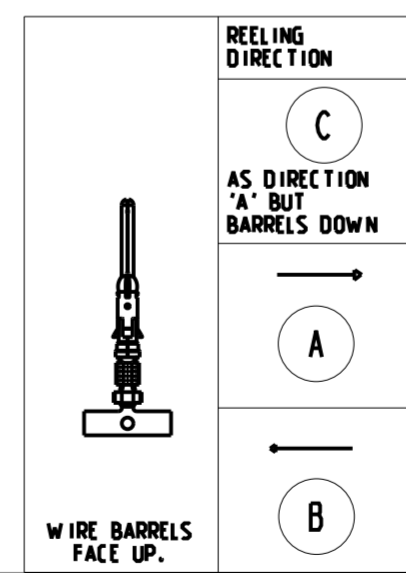
THIS DRAWING IS UNPUBLISHED. RELEASED FOR PUBLICATION 2011  
 (C) COPYRIGHT 2011 ALL RIGHTS RESERVED.

| LOC | DIST | REVISIONS |     |   |            |     |      |
|-----|------|-----------|-----|---|------------|-----|------|
| B   | -    | P         | LTR | DESCRIPTION   | DATE       | DWN | APVD |
|     |      | AY2       |     | ADDITION OF NOTE 13. TEXT "REF" DIM 3 & 3.7 IN ZONE C1 & C2. DIM 27.5 TO "27.6 MAX" IN ZONE C5. PLATING ZONE 1 DIM 4.0 TO 3.0 | 21JULY2015 | TJ  | PS   |
|     |      | AY3       |     | PN 1-163081-4 OBSOLETE  | 18MAY2017  | TJ  | NG   |
|     |      | AZ        |     | ELECTRO TIN PLATING THK CHANGED FROM 2-5µ   | 26JUN2018  | GV  | FP   |
|     |      | AZ1       |     | ECO-20-017323   | 15JAN2021  | RK  | MZ   |



- 1 1.27 MICRON MIN NICKEL PLATE OVER ZONE 3.  
0.76 MICRON MIN PRECIOUS METAL PLATE OVER ZONE 1.  
1 MICRON MIN TIN PLATE OVER ZONE 2.  
CONFORMS TO THE REQUIREMENTS OF TE CONNECTIVITY PRODUCT SPEC 108-10042  
BASED ON EIA/ECA-364-1000.01A (CONTROLLED ENVIRONMENT APPLICATIONS)
- 2 1.27 MICRON MIN NICKEL PLATE OVER ZONE 3.  
0.69 MICRON MIN PRECIOUS METAL PLATE OVER ZONE 1.  
0.076 MICRON MIN GOLD FLASH PLATE OVER THE REMAINDER OF ZONE 3.  
CONFORMS TO THE REQUIREMENTS OF TE CONNECTIVITY PRODUCT SPEC 108-10042  
BASED ON EIA/ECA-364-1000.01A (CONTROLLED ENVIRONMENT APPLICATIONS)
- 3 1.54 - 2.54 MICRON SILVER PLATE OVER ZONE 3.  
0.76 MICRON MIN NICKEL PLATE OVER ZONE 3.
- 4 1.27 MICRON MIN NICKEL PLATE OVER ZONE 3.  
0.76 MICRON MIN GOLD PLATE OVER ZONE 1.  
0.076 MICRON MIN GOLDFLASH PLATE OVER THE REMAINDER OF ZONE 3.
- 5 1.27 MICRON MIN NICKEL PLATE OVER ZONE 3.  
0.76 MICRON MIN GOLD PLATE OVER ZONE 1.  
1 MICRON MIN TIN PLATE OVER ZONE 2.
- 6 HOT-DIPPED PRETIN
- 7 1.27 MICRONS MIN NICKEL PLATE OVER ZONE 3.  
5 MICRON ELECTRO-TIN PLATE OVER ZONE 3.
- 8 0.76 MICRON MIN NICKEL PLATE OVER ZONE 3 PER QQ-N-290  
1.5 - 2.54 MICRON SILVER PLATE OVER ZONE 3.
- 9 SERRATIONS CAN BE MULTILOCK OR TWO SLOTS
- 10 WIRE RANGE: 0.75 - 1.50 mm<sup>2</sup> (18-16 AWG)
- 11 INSULATION RANGE: 2.0 - 2.5 mm (.080-.100) DIA
- 12 SPECIAL REEL WITH 200 PCS FOR REEL-FED HANDTOOL
- 13 OMISSION OF 6 CONTACTS MAX PER REEL OF 5000PCS
- 14 OBSOLETE

15 5-163081-4 CONTAINS SPECIAL PACKAGING.



| REELING | FINISH | SPRING MATERIAL | PIN BODY        | LOOSE PIECE | PART NUMBER           |
|---------|--------|-----------------|-----------------|-------------|-----------------------|
| 15      | A      | 7               | STAINLESS STEEL | BRASS       | 5-163081-4            |
| 12      | A      | 7               | STAINLESS STEEL | BRASS       | 5-163081-1            |
| A       | A      | 3               | STAINLESS STEEL | BRASS       | 1-163082-6 1-163081-7 |
| A       | A      | 7               | STAINLESS STEEL | PH. BRONZE  | 1-163081-5            |
| B       | B      | 6               | STAINLESS STEEL | PH. BRONZE  | 1-163081-4 14         |
| A       | A      | 6               | STAINLESS STEEL | BRASS       | 1-163081-3            |
| B       | B      | 6               | STAINLESS STEEL | BRASS       | 1-163081-2            |
| A       | A      | 1               | STAINLESS STEEL | BRASS       | 1-163082-0 1-163081-1 |
| A       | A      | 7               | STAINLESS STEEL | BRASS       | 163082-1 163081-8     |
| A       | A      | 2               | STAINLESS STEEL | BRASS       | 163082-2 163081-7     |
| B       | B      | 2               | STAINLESS STEEL | BRASS       | 163081-2              |
| B       | B      | 7               | STAINLESS STEEL | BRASS       | 163081-1              |

THIS DRAWING IS A CONTROLLED DOCUMENT.

DIMENSIONS: mm TOLERANCES UNLESS OTHERWISE SPECIFIED:  
 0 PLC ±0.5  
 1 PLC ±0.15  
 2 PLC ±0.15  
 3 PLC ±0.15  
 4 PLC ANGLES ±2°  
 FINISH SEE TABLE

MATERIAL: SEE TABLE

APPROVALS:  
 DWN J. BRIGHT 24/10/11  
 CHK M. GREENER 24/10/11  
 APVD D. PENNINGTON 11/06/12

PRODUCT SPEC: 108-10042  
 APPLICATION SPEC: 114-10004

TE Connectivity  
 TYPE III+, SIZE 16, PIN ASS'Y  
 18-16 AWG, 2.0-2.5mm DIA INSULATION

SIZE: A2 CAGE CODE: 00779 DRAWING NO: C-163081 RESTRICTED TO: 1  
 SCALE: NTS SHEET 1 OF 1 REV: AZ1