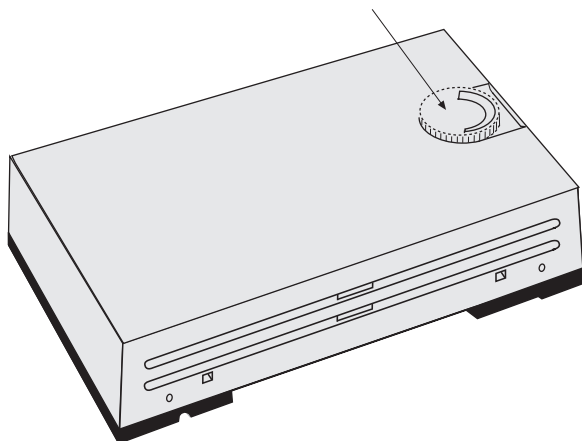


ENCLOSURE WITH KNOB

**SERIES
600**

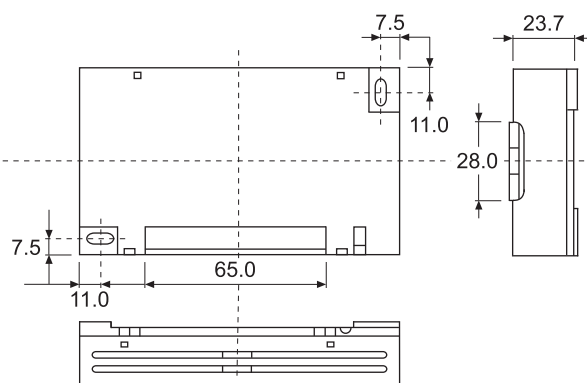
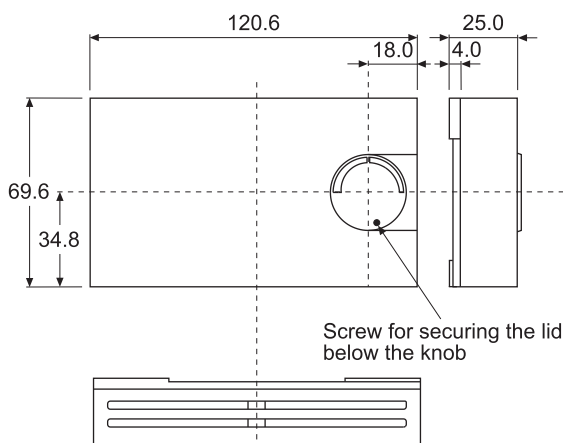
Can be limited to 180° mechanical travel



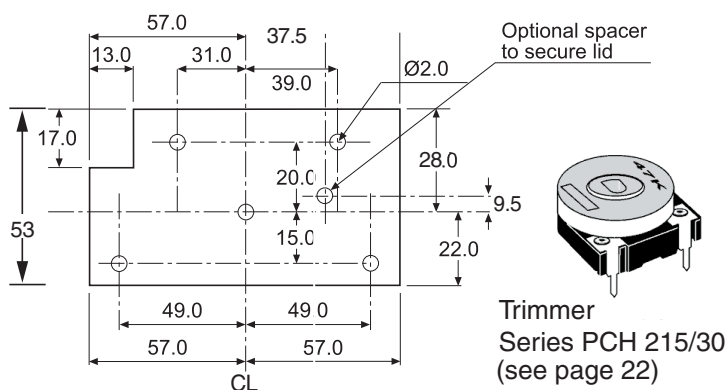
Enclosure with knob, for wall mounting, suitable for room thermostats etc. The knob fits among others trimmer P/N. PCH215/30 from AB Elektronik GmbH. See [www. Bernic. dk](http://www.Bernic.dk). Standard colour is white/black but other colours can be supplied upon request. PCB and packing are available. Base part available with cold press fixing taps or four self tapping screws to fix the PCB.

TECHNICAL DATA:

Top part: Cycoloy C 2800
 Base part: Lexan 940
 Colour: White/black (RAL9010/RAL9005)
 Temperature range: -30 - +100°C
 Self-extinguishing: Acc. to UL94-V0
 Knob: Cycoloy C 2800

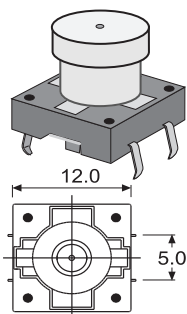


600 + 601 . PCB DIMENSIONS:

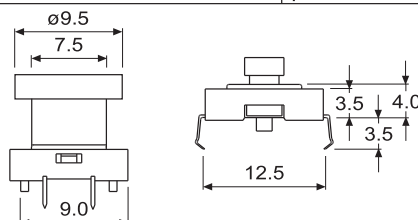


TYPE 600:	ORDER CODE:
Top part	p/n 0669000600
Base part incl. 2 screws	p/n 0669000609
Base part w.integrated spacer	p/n 0699000612
PCH 215/30 10k trimmer	p/n 0207220103
Packing	p/n 2068601004
Raw PCB	p/n 4999000600
Top part, 180° travel	p/n 0669000608
Knob without print	p/n 0669001603
Knob with grey print	p/n 06690080603
Knob with red print	p/n 0669020603
Knob with black dot	p/n 0669081603
Light conductor	p/n 4972001258
Push button switch	p/n 4955127313
Rocker switch - 28V DC	p/n 1441210212

PUSH BUTTON-SWITCH - SERIES 1273



TYPE:	ORDER CODE:
Tact-switch with ø 9,5 mm knob white colour	p/n 4955127313



● All measurements are in mm.

1273

Push switches for series 300/600/900 with snap-in terminals and knob. Knob available in several colours upon request.

Colour: White
 Contact rating: 50 mA/12V DC
 Contact resistance: 100 mΩ
 Life time: Min. 100.000 operations
 Operating force: 100 g