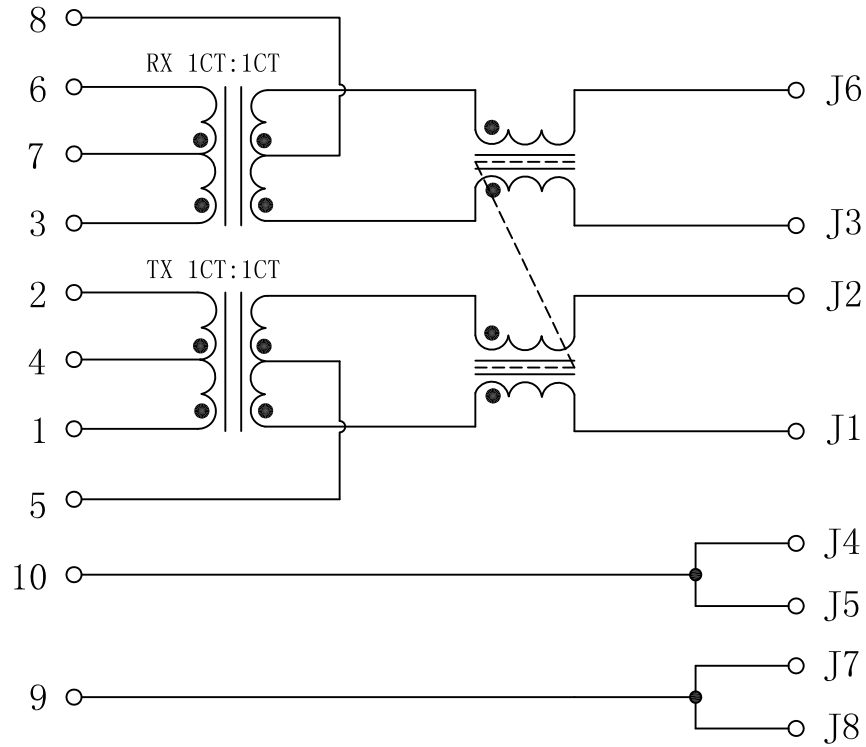


Schematic:

REV.	ECN NO.	DESCRIPTION	DATE	APPD
A	REL		2012-08-14	

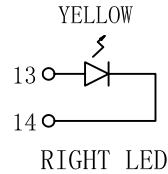
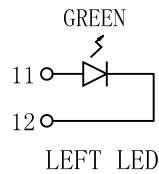
PC BOARD CONNECTIONS



RJ45 CONNECTOR

ELECTRICAL SPECIFICATIONS @25°C

- Turn Ratio($\pm 5\%$):
TX=1CT:1CT RX=1CT:1CT
- Inductance OCL: 350uH MIN
@100KHz, 0.1V, 8mA DC Bias
- Insertion Loss:
-1.2dB MAX @1-100MHz
- Return Loss:
-16dB MIN @1-30MHz
-14dB MIN @40MHz
-13dB MIN @50MHz
-12dB MIN @60-80MHz
- Cross talk:
-43dB MIN @30MHz
-37dB MIN @60MHz
-33dB MIN @100MHz
- DCMR:
-50dB MIN @30MHz
-43dB MIN @60MHz
-35dB MIN @100MHz
- Hipot: 1500Vrms MIN
- Operating Temperature: -40°C TO +85°C.



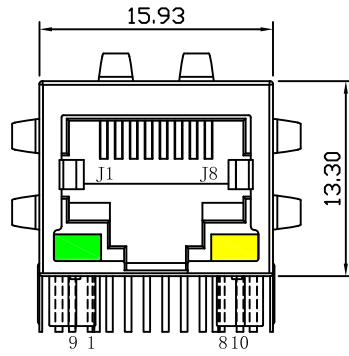
Emitting Color	λ p(nm)	VF@IF=20mA	IR @VR=5V
GREEN	565	1.8~2.6V	10 μ A max
YELLOW	585	1.8~2.6V	10 μ A max



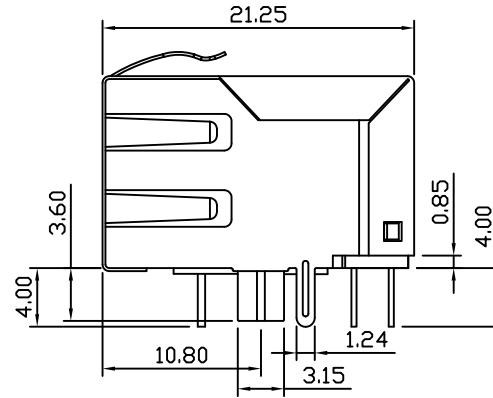
X:X	± 0.30	APPD:	LINK-PP INT'L TECHNOLOGY CO., LIMITED	
X:XX	± 0.25	CHKD:	TITLE: RJ45 Connector with 10/100 Base-T Integrated Magnetics For PoE+ Application	
X:XXX	± 0.05	DR: TOM	PART NO. : LPJ4514GENL	
ANGLES	$\pm 1^\circ$	UNIT: mm		
	SCALE: 2/1	SHEET: 1/2	REV: A	DWG NO. : LP12081412

Mechanical:

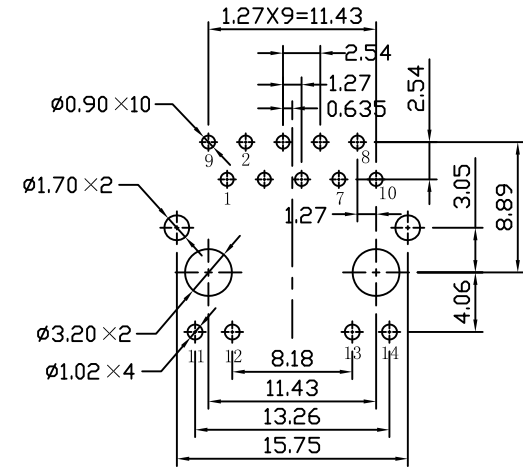
REV.	ECN NO.	DESCRIPTION	DATE	APPD
A	REL		2012-08-14	



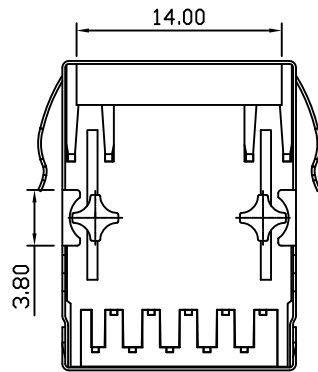
Front Side View



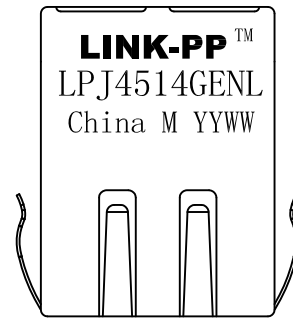
Left Side View



Suggested PCB Layout (Top View)



Bottom Side View



Top Side View

NOTES:

1. Designed to support application, such as SOHO (ADSL modems), LAN-on-Motherboard (LOM), hub and Switches.
2. Designed for PoE+, IEEE802.3at applications
3. Power on used or unused pairs for up to 720mADC.
4. Connector Materials:
 Housing: Thermoplastic PBT+30%G.F UL94V-0
 Contact: Phosphor Bronze C5210R-EH Thickness=0.35mm
 Pins: Brass C2680R-H Thickness=0.35mm
 Shield: SUS 201-1/2H Thickness=0.2mm
 Contact plating: Gold 6 micro-inches min. In contact area.
5. Wave solder tip temperature: 265°C Max, 5 Sec Max.

X:X	±0.30	APPD:	LINK-PP INT'L TECHNOLOGY CO., LIMITED	
X:XX	±0.25	CHKD:	TITLE: RJ45 Connector with 10/100 Base-T Integrated Magnetics For PoE+ Application	
X:XXX	±0.05	DR: TOM	PART NO.: LPJ4514GENL	
ANGLES	±1°	UNIT: mm	DWG NO.: LP12081412	
	SCALE: 2/1	SHEET: 2/2	REV: A	