

Data sheet | Item number: 2065-100/998-403

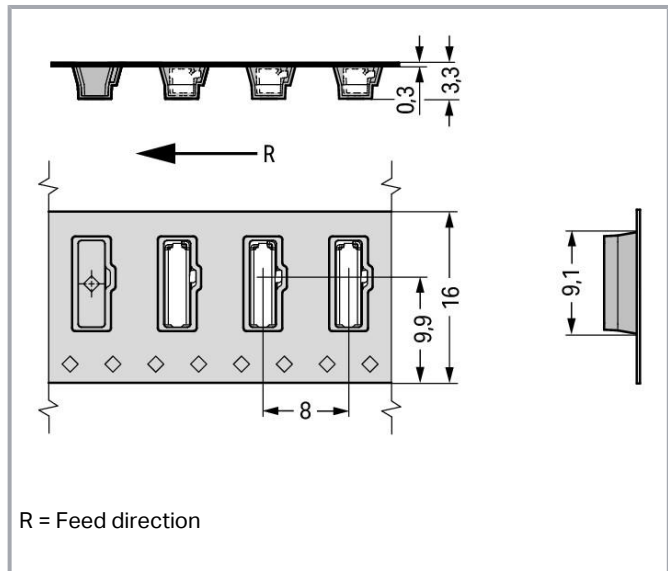
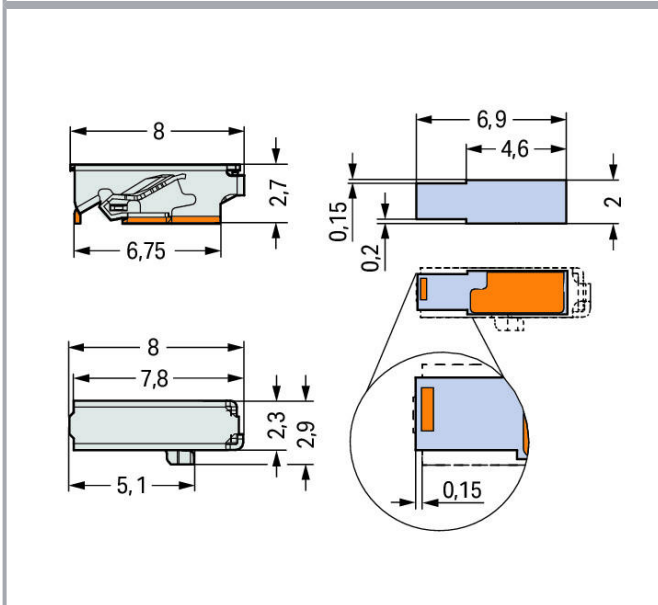
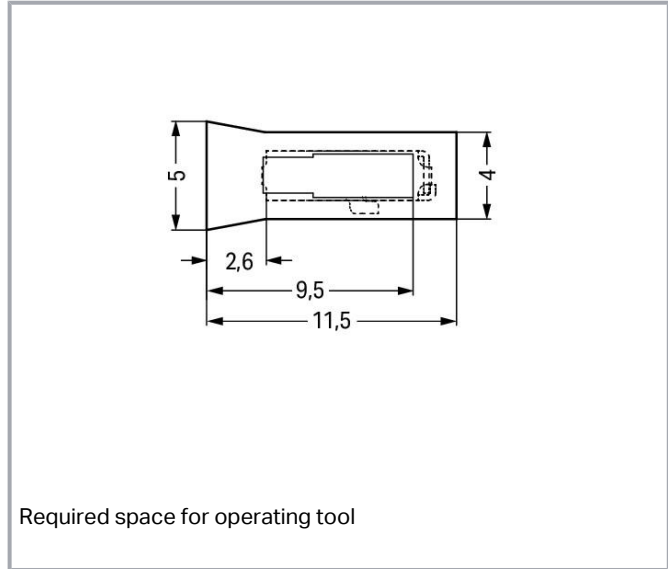
SMD PCB terminal block; push-button; 0.75 mm²; Pin spacing 6.5 mm; 1-pole; Push-in CAGE CLAMP®; in tape-and-reel packaging; Without housing; 0,75 mm²; silver-colored



www.wago.com/2065-100/998-403



Color: ■



Subject to changes. Please also observe the further product documentation!

WAGO Kontakttechnik GmbH & Co. KG
Hansastr. 27
32423 Minden
Phone: +49571 887-0 | Fax: +49571 887-169
Email: info.de@wago.com | Web: www.wago.com

Do you have any questions about our products?
We are always happy to take your call at +49 (571) 887-44222.



Item description

- SMD PCB terminal block with push-button and Push-in CAGE CLAMP® connection technology
- Push-in termination of solid conductors
- Convenient termination/removal of fine-stranded conductors via push-button and operating tool
- Height of just 2.7 mm
- Available in tape-and-reel packaging for automated assembly
- Also available in a PUSH WIRE® variant without push-button (only for solid conductors)

Note:

The ratings are based on an example pin spacing of 6.5 mm.

The layout must meet the requirements of the insulation coordination standard EN/IEC 60664-1 and applicable end product standards.

Safety information 1:

NOTE: Terminal block without insulation housing! Protection against accidental contact must be provided at voltages higher than low voltages (e. g., SELV/PELV) for the relevant application.

Data

Electrical data

Ratings per IEC/EN

Ratings per	IEC/EN 60664-1
Rated voltage (III/2)	320 V
Rated surge voltage (III/2)	4 kV
Nominal voltage (II/2)	630 V

Subject to changes. Please also observe the further product documentation!

WAGO Kontakttechnik GmbH & Co. KG
Hansastr. 27
32423 Minden
Phone: +49571 887-0 | Fax: +49571 887-169
Email: info.de@wago.com | Web: www.wago.com

Do you have any questions about our products?
We are always happy to take your call at +49 (571) 887-44222.



Rated surge voltage (II/2)	4 kV
Rated current	9 A
Legend (ratings)	(III / 2) $\hat{=}$ Overvoltage category III / Pollution degree 2

Ratings per UL

Approvals per	UL 1059
---------------	---------

Ratings per UL

Rated voltage UL 1977	600 V
Rated current UL 1977	9 A

Ratings per CSA

Approvals per	CSA
---------------	-----

Connection data

Connection technology	Push-in CAGE CLAMP [®]
Actuation type	Push-button
Solid conductor	0.2 ... 0.75 mm ² / 24 ... 18 AWG
Fine-stranded conductor	0.2 ... 0.75 mm ² / 24 ... 18 AWG
Strip length	7.5 ... 9.5 mm / 0.3 ... 0.37 inch
Conductor connection direction to PCB	0°
Pole No.	1
Total number of connection points	1
Total number of potentials	1
Number of connection types	1
Number of levels	1

Physical data

Pin spacing	6.5 mm / 0.256 inch
Width	2.9 mm / 0.114 inch
Height	2.7 mm / 0.106 inch
Depth	8 mm / 0.315 inch
Reel diameter of tape-and-reel packaging	330 mm
Tape width	16 mm

Subject to changes. Please also observe the further product documentation!

PCB contact

PCB Contact	SMD
-------------	-----

Material data

Color	silver-colored
Clamping spring material	Chrome nickel spring steel (CrNi)
Contact material	Copper alloy
Contact plating	tin-plated
Weight	0.1 g

Environmental requirements



Limit temperature range	-60 ... +120 °C
-------------------------	-----------------

Commercial data

Packaging type	BOX
Country of origin	CH
GTIN	4055143665469
Customs tariff number	85369010000

Approvals / Certificates


Country specific Approvals

Logo	Approval	Additional Approval Text	Certificate name
	CB DEKRA Certification B.V.	EN 60947-7-4	NL-49896 (IEC 60947-7- 4:2013)
	KEMA/KEUR DEKRA Certification B.V.	EN 60947-7-4	71- 102154
	KEMA/KEUR DEKRA Certification B.V.	EN 60998	71- 102159

UL-Approvals




Certificate

Subject to changes. Please also observe the further product documentation!

Logo	Approval	Additional Approval Text	name
	UR Underwriters Laboratories Inc.	UL 1977	E45171 sec. 25

Compatible products

General accessories

	Item no.: 2065-131 Board-to-Board Link; Pin spacing 6.5 mm; Length: 15.6 mm; silver-colored	www.wago.com/2065-131
	Item no.: 2065-133 Board-to-Board Link; Pin spacing 6.5 mm; Length: 17.6 mm; silver-colored	www.wago.com/2065-133
tools		
	Item no.: 2065-189 Operating tool; made of insulating material; white	www.wago.com/2065-189

Downloads

Documentation

Additional Information

Technical explanations	Apr 3, 2019	pdf 2.0 MB	Download
------------------------	-------------	---------------	----------

CAD/CAE-Data

CAD data

2D/3D Models 2065-100/998-403	URL	Download
-------------------------------	-----	----------

PCB Design

Symbol and Footprint 2065-100/998-403	URL	Download
---------------------------------------	-----	----------

CAX data for your PCB design, consisting of "schematic symbols and PCB footprints", allow easy integration of the WAGO component into your development environment.

Supported formats:

- Accel EDA 14 & 15
- Altium 6 to current version
- Cadence Allegro
- DesignSpark

Subject to changes. Please also observe the further product documentation!



- Eagle Libraries
- KiCad
- Mentor Graphics BoardStation
- Mentor Graphics Design Architect
- Mentor Graphics Design Expedition 99 and 2000
- OrCAD 9.X PCB and Capture
- PADS PowerPCB 3, 3.5, 4.X, and 5.X
- PADS PowerPCB and PowerLogic 3.0
- PCAD 2000, 2001, 2002, 2004, and 2006
- Pulsonix 8.5 or newer
- STL
- 3D STEP
- TARGET 3001!
- View Logic ViewDraw
- Quadcept
- Zuken CadStar 3 and 4
- Zuken CR-5000 and CR-8000

PCB Component Libraries (EDA), PCB CAD Library Ultra Librarian

CAE data

ZUKEN Portal 2065-100/998-403	URL	Download
-------------------------------	---------------------	--------------------------

Environmental Product Compliance

Compliance Search

Environmental Product Compliance 2065-100/998-403	URL	Download
---	---------------------	--------------------------

SMD PCB terminal block; push-button; 0.75 mm²; Pin spacing 6.5 mm; 1-pole; Push-in CAGE CLAMP®; in tape-and-reel packaging; Without housing; 0,75 mm²; silver-colored

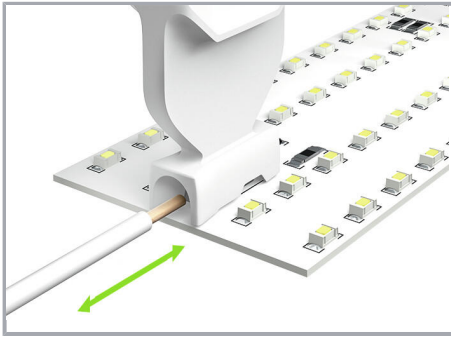
Installation Notes

Conductor termination

Subject to changes. Please also observe the further product documentation!

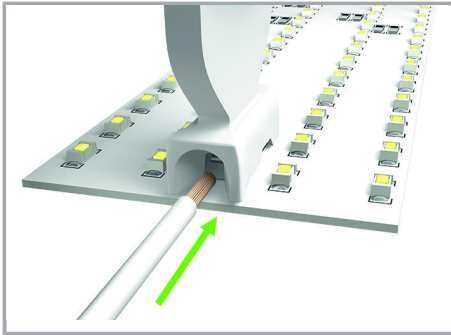
WAGO Kontakttechnik GmbH & Co. KG
Hansastr. 27
32423 Minden
Phone: +49571 887-0 | Fax: +49571 887-169
Email: info.de@wago.com | Web: www.wago.com

Do you have any questions about our products?
We are always happy to take your call at +49 (571) 887-44222.



Push-in CAGE CLAMP® variant: Insert fine-stranded conductors and remove all conductor types via operating tool. Solid conductors can also be terminated by simply pushing them in.

Conductor termination



The 2065-189 Operating Tool's funneled conductor entry securely guides all conductor types into the Push-in CAGE CLAMP®.

Subject to changes. Please also observe the further product documentation!