



EMI Filters > Multi-Function Inlet Filters > CORCOM GG SERIES MULTI-FUNCTION INLET FI

Filter Type: **Power Entry Module**Input Voltage Selection: **None**Filter Switch Type: **None**Filter Shield Type: **Complete Can**Mount Angle: **Right Angle**[All CORCOM GG SERIES MULTI-FUNCTION INLET FI \(36\)](#)

Features

Product Type Features

Ground Choke Option	No
Ground Option	None
Filter Type	Power Entry Module
Filter Switch Type	None
Filter Input Termination Type	IEC
Filter Output Termination Type	.250" FASTON
Filtering Requirements	Filtered
Filter Connector Type	IEC 320/C-14

Configuration Features

Fuse Options	Dual
--------------	------

Electrical Characteristics

Input Voltage Selection	None
Leakage Current (Max) (120VAC, 60Hz)	250 μ A
Leakage Current (Max) (250VAC, 50Hz)	420 μ A
Filter Current Rating	6 A
Voltage Rating (Max)	250 VAC

Body Features

Filter Shield Type	Complete Can
--------------------	--------------

Mechanical Attachment

Mount Angle	Right Angle
Filter Mount Style	Flanged

Usage Conditions

Operating Temperature Range	-10 – 40 °C
-----------------------------	-------------

Product Compliance

[For compliance documentation, visit the product page on TE.com>](#)

EU RoHS Directive 2011/65/EU	Compliant
EU ELV Directive 2000/53/EC	Compliant
China RoHS 2 Directive MIIT Order No 32, 2016	No Restricted Materials Above Threshold
EU REACH Regulation (EC) No. 1907/2006	Current ECHA Candidate List: JAN 2021 (211) Candidate List Declared Against: JUL 2019 (201) SVHC > Threshold: Not Yet Reviewed
Halogen Content	Not Low Halogen - contains Br or Cl > 900 ppm.
Solder Process Capability	Not applicable for solder process capability

Product Compliance Disclaimer

This information is provided based on reasonable inquiry of our suppliers and represents our current actual knowledge based on the information they provided. This information is subject to change. The part numbers that TE has identified as EU RoHS compliant have a maximum concentration of 0.1% by weight in homogenous materials for lead, hexavalent chromium, mercury, PBB, PBDE, DBP, BBP, DEHP, DIBP, and 0.01% for cadmium, or qualify for an exemption to these limits as defined in the Annexes of Directive 2011/65/EU (RoHS2). Finished electrical and electronic equipment products will be CE marked as required by Directive 2011/65/EU. Components may not be CE marked. Additionally, the part numbers that TE has identified as EU ELV compliant have a maximum concentration of 0.1% by weight in homogenous materials for lead, hexavalent chromium, and mercury, and 0.01% for cadmium, or qualify for an exemption to these limits as defined in the Annexes of Directive 2000/53/EC (ELV). Regarding the REACH Regulation, the information TE provides on SVHC in articles for this part number is based on the latest European Chemicals Agency (ECHA) 'Guidance on requirements for substances in articles' posted at this URL: <https://echa.europa.eu/guidance-documents/guidance-on-reach>

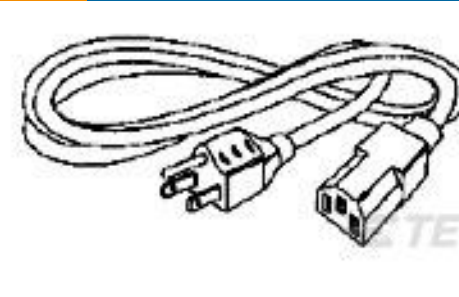
Compatible Parts



TE Part # CAT-C8114-G34
CORCOM GG SERIES MULTI-FUNCTION INLET FI



TE Part # CAT-C8114-H519
CORCOM HG SERIES MULTI-FUNCTION INLET FI



TE Part # 1609142-1
GA400 POWER LINE CO=F6946

Also in the Series | Corcom GG



Multi-Function Inlet Filters(36)

Customers Also Bought



TE Part #1-6609028-5
CORCOM K SERIES SINGLE PHASE FILTERS



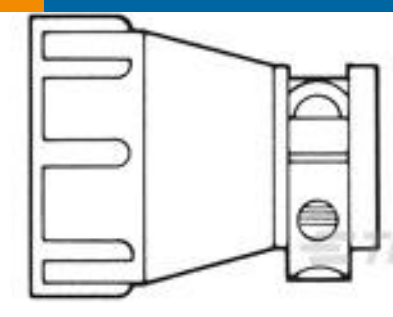
TE Part #1-487378-3
2.54mm FFC Connectors Receptacle Housing



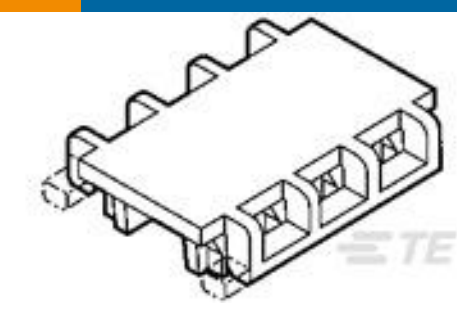
TE Part #91517-1
CCII FEMALE MOD IV REC 24-22 ASSY



TE Part #1487595-2
USB, A-B, 28/26, BLACK, 1.3M



TE Part #1-206062-3
CPC cable clamp, size 11



TE Part #1-643077-4
14P MTA100 MOLDED COVER F/T



TE Part #1-2834184-3
2P,FULL CABLE ASSY-152.4MM, WHITE,TIN



TE Part #103308-2
014 LOPRO HDR SP 15DP



TE Part #111451-3
LATCH,UNIV I/O



TE Part #1-640389-2
12P MTA156 HDR ASSY SQ R/A F/L



Documents

Product Drawings

[6EGG1-2=F7386D](#)

English

CAD Files

[3D PDF](#)

3D

Customer View Model

[ENG_CVM_2-6609115-3_B.3d_igs.zip](#)

English

Customer View Model

[ENG_CVM_2-6609115-3_B.3d_stp.zip](#)

English

Customer View Model

[ENG_CVM_2-6609115-3_B.2d_dxf.zip](#)

English

By downloading the CAD file I accept and agree to the [Terms and Conditions](#) of use.

Datasheets & Catalog Pages

[1654001_CORCOM_PRODUCT_GUIDE](#)

English

[1654001_CORCOM_PRODUCT_GUIDE_GG_HG](#)

English

[1-1654250-1_CORCOM_EMI_RFI_QRG](#)

English

[Corcom Combined Selector Charts](#)

English