

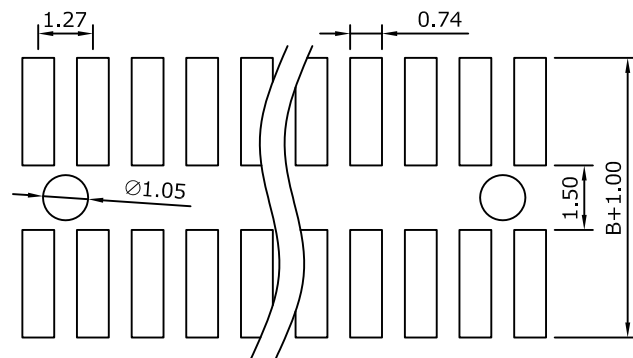
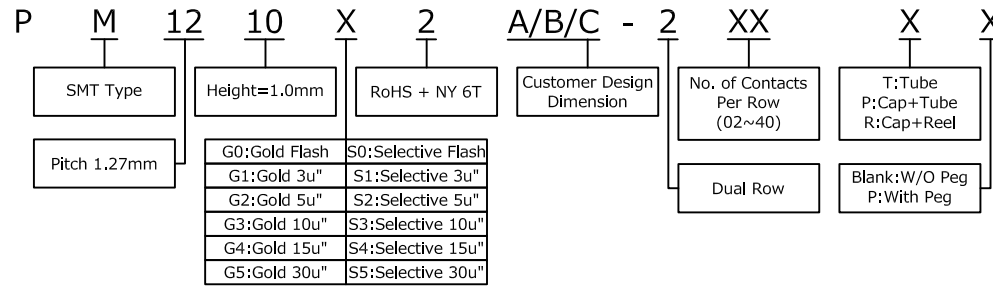
Specifications

Current Rating: 1A AC,DC
 Contact Resistance: 20mΩ Max
 Insulation Resistance: 1000MΩ Min
 Withstanding Voltage: 500V AC/minute
 Temperature Range: -40°C ~ +105°C

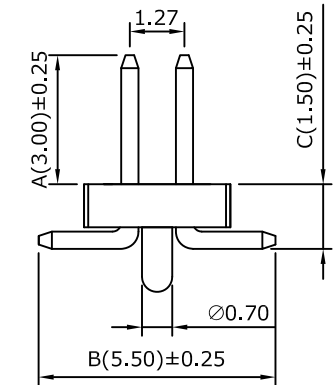
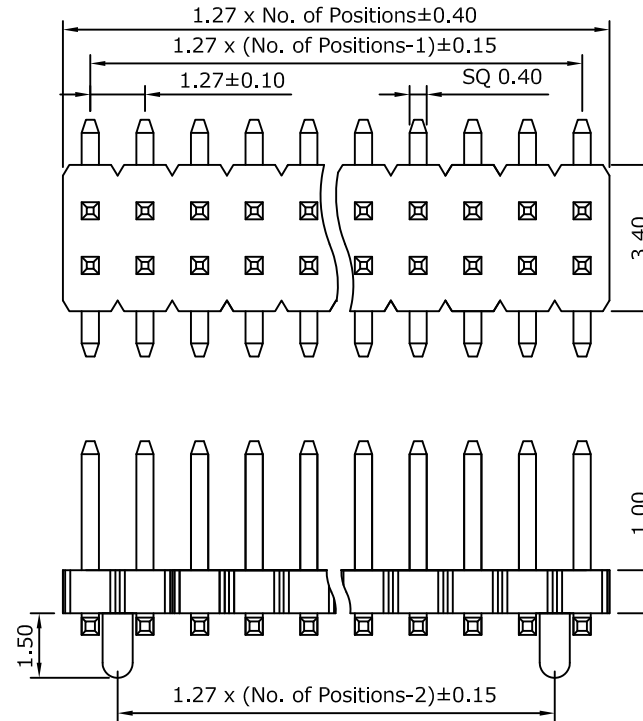
Material

Insulator: Nylon 6T, UL94V-0
 Contact: Copper Alloy

ORDER INFORMATION



Recommended PCB Layout
 (PCB TOLERANCE ±0.05)



				品號 PART NO.	PM1210X2A/B/C-2XXXX	日期 DATA	2007/04/02			
				圖號 DRAWING NO.	PM1210X2A/B/C-2XXXX	繪圖 DRAWN	Sayid			
				客戶品號 CUSTOMER P/N		核對 APPROVED	Max			
REV.	DESCRIPTION	DATA	TITLE: Pin Header 1.27mm Plastic Height 1.0mm	REV. A	公差 TOLERANCE	.X ±0.25 .XX ±0.20	比例 SCALE	FREE	單位 UNIT	mm