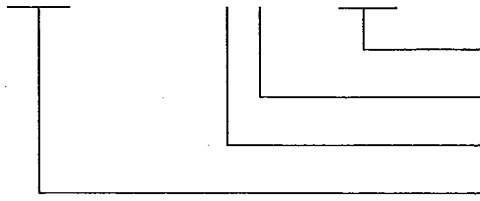


type no.:

B1E04 -E6 20R-F11

RoHS
Compliant

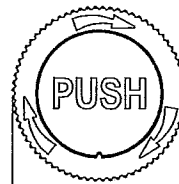
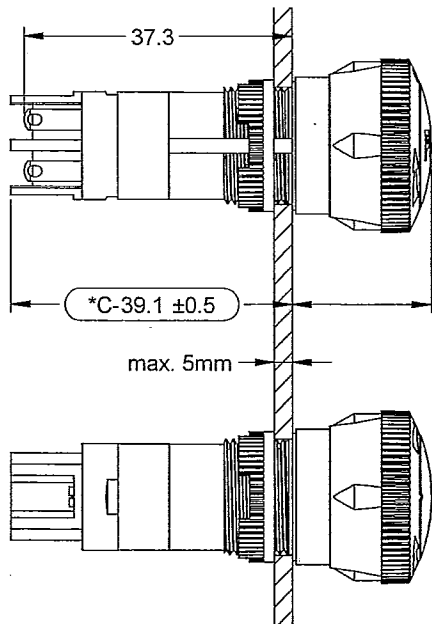


11 : 1NO/1NC
R : Colour (red)
0 : With out lamps
04 : Pushlock turn clockwise to reset

(Order no. codes)

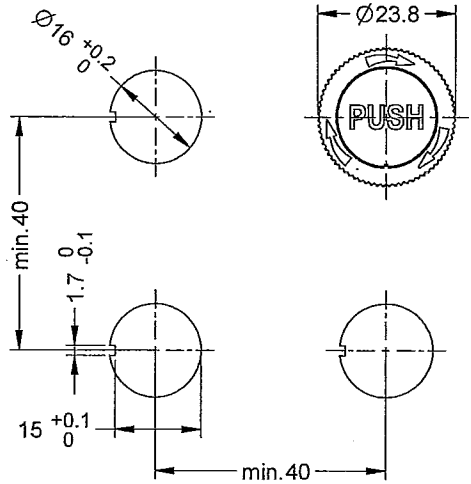
order no.: B1E04-E620R-F11/□□□

Plug-in Emergency Stop Switch



*A- $\varnothing 23.8 \pm 0.4$

Hole Dia

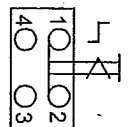
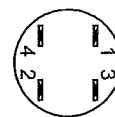


Product Specifications

- Mechanical lifetime : >0.1 million operations
- Electric rating : 240V AC 1.5A ; 120V AC 3A
- Max. insulation voltage: >1500V 60Hz 1min. between all terminals
- Motion tolerance : <10 operation/min.
- Panel thickness : 0.5mm ~ 5mm
- Degree of protection : IP 65
- Storage temperature : -40°C to +70°C
- Operating temperature: -25°C to +55°C
- Contact resistance : 20m Ω (initial)

Bottom View

Electrical Diagram



DECA® SwitchLab Inc.

CONFIRMED &
ACCEPTED BY:

文件管制

JAN 18, 2012

文管中心

DRAWING NO.	B1E04-E620R-F11	VERSION	B	CONFIRMED BY	<i>[Signature]</i>
SHEET OF	2/2	METRIC	M M	DRAWN BY	<i>[Signature]</i>
		DATE	2012/01/18	GENERAL MANAGER	<i>[Signature]</i>