


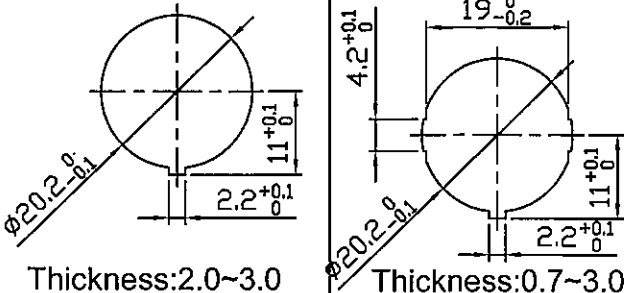
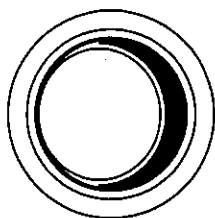
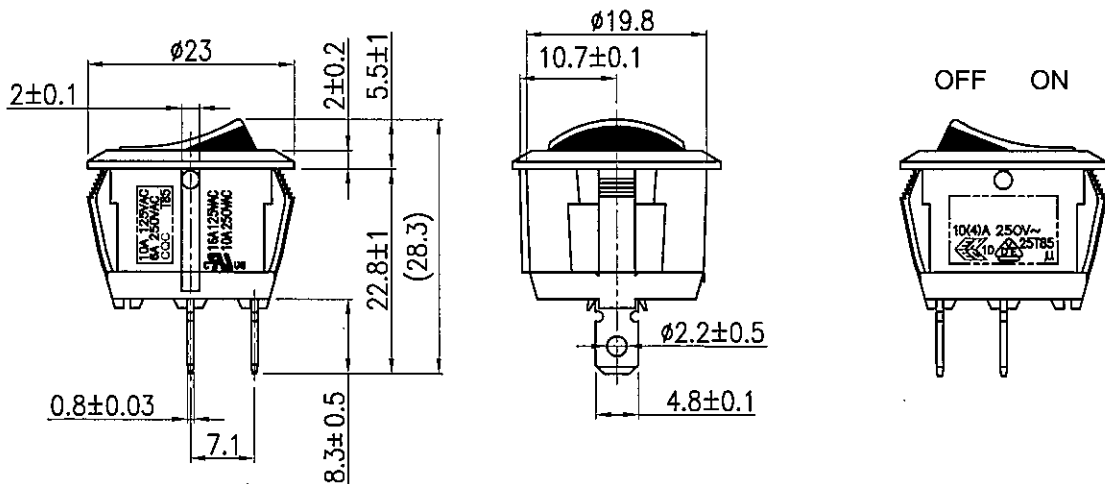


Rating	16A 125VAC, 10A 250VAC 	Mounting Hole
	10A 125VAC, 6A 250VAC 	
	10(4)A 250V~ 	
Contact Resistance	50m ohm Max.	
Insulation Resistance	DC 500V 100M ohm Min.	
Dielectric Strength	AC 1500V 1 minute	
Operation Temperature	-25°C~85°C	
Switch Function	2P SPST ON-OFF	






Material:
 Frame: Black, Nylon 66
 Actuator: Black/Red, Nylon 66
 Printed: None

Circuit Diagram



1 - Tolerances Unless Otherwise Specified ±0.3

03/28/13	曹盈芳	依公司規定追加SCI Logo		
Date	Name	Description		No.
Drawn	Checked	Approved	SCI BOM No. 1821071	Model Name ROCKER SWITCH
曹盈芳			Customer No.	Model No. R13-112A2-02
03/28/13		3/28/13	Unit mm	Rev. 1
 Shin Chin Industrial Co., Ltd.				