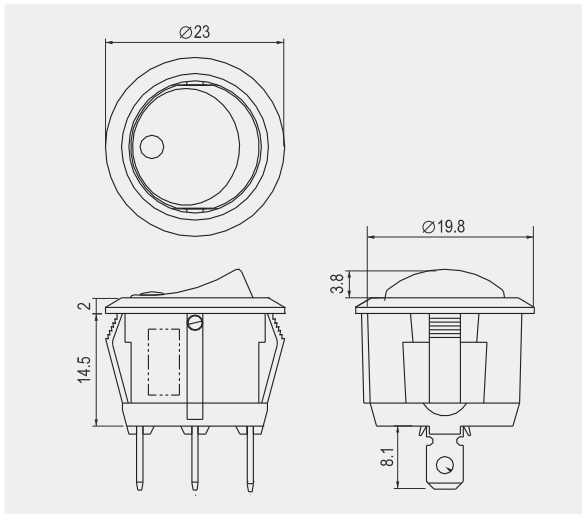
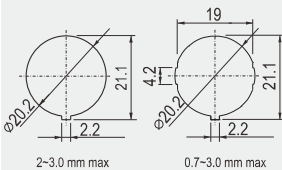


R13-112



Rating
16A 125V AC 10A 250V AC
Contact resistance
50mΩ Max
Insulation resistance
DC 500V 100MΩ Min
Dielectric strength
AC 1500V 1 minute
Cut-out

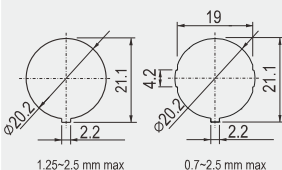


FEATURES

- * MATERIAL: Frame is nylon (UL flame: 94V-2). Terminals are silver plated brass.
- * Illuminated actuators are molded in PC, available with red, amber, green, blue and white colors.
- * Snap-in mounting, easy to install switch into panel.
- * Except lever type actuator (AP, BP, CP, DP, LP), watertight cover is optional.
- * Standard dimension of housing height is 14.5mm, if look for shorter height, please refer to page 1-57, item R13-208 with housing height 12.0mm.
- * R13-112B9 & R13-112B9F: The LED is built with PCB for shifting to AC rating application.
- * Watertight cover is optional.



Cut-out for X8 ROCKER



0.7~2.5 mm max

ROCKER			
A,B,BF C,D,E, F,G,H, I		A5	
A2 E2 F2		LP	
A2B		A8, B8 B8F C8, D8 F8, E8	
B2 B2F		B9 B9F	
L		AP BP CP DP	



Ordering number instruction

R13-112 -

FUNCTION	TERMINAL
Different button (按鈕不同) <div style="display: flex; justify-content: space-between;"> <div style="width: 48%;"> <p>A A 2 </p> <p>A 5 </p> <p>A P </p> <p>A 2 B </p> </div> <div style="width: 48%;"> <p>0 2 .187" SQ</p> <p>0 9 PC A/C/D/E/F/G/H/I</p> <p>1 2 SO A/C/D/E/F/G/H/I/L</p> </div> </div>	
Illuminated / Different button (帶燈/按鈕不同) <div style="display: flex; justify-content: space-between;"> <div style="width: 48%;"> <p>B </p> <p>B 2 </p> <p>B 9 </p> <p>B 10 </p> <p>B P </p> </div> <div style="width: 48%;"> <p>125VAC 33KΩ / 250VAC 150KΩ</p> <p>125VAC 33KΩ / 250VAC 150KΩ</p> <p>125VAC 33KΩ / 250VAC 150KΩ</p> <p>125VAC 33KΩ / 250VAC 150KΩ</p> <p>125VAC 33KΩ / 250VAC 150KΩ</p> </div> </div>	
Momentary / Illuminated / Different button (彈回/帶燈/按鈕不同) <div style="display: flex; justify-content: space-between;"> <div style="width: 48%;"> <p>B F </p> <p>B 2 F </p> <p>B 9 F </p> </div> <div style="width: 48%;"> <p>125VAC 33KΩ / 250VAC 150KΩ</p> <p>125VAC 33KΩ / 250VAC 150KΩ</p> <p>125VAC 33KΩ / 250VAC 150KΩ</p> </div> </div>	
Different position / Different button (動作特性不同/按鈕不同) <div style="display: flex; justify-content: space-between;"> <div style="width: 48%;"> <p>C </p> <p>C P </p> <p>D </p> <p>D P </p> </div> <div style="width: 48%;"> <p>3P SPDT</p> <p>3P SPDT</p> <p>3P SPDT</p> <p>3P SPDT</p> </div> </div>	
Momentary (彈回) <div style="display: flex; justify-content: space-between;"> <div style="width: 48%;"> <p>E </p> <p>F </p> <p>G </p> <p>H </p> <p>I </p> </div> <div style="width: 48%;"> <p>(OFF) 2P SPST</p> <p>OFF 2P SPST (ON)</p> <p>(ON) 3P SPDT</p> <p>(ON) OFF ON</p> <p>(ON) OFF (ON)</p> </div> </div>	
Independent circuit / Different button (獨立迴路/按鈕不同) <div style="display: flex; justify-content: space-between;"> <div style="width: 48%;"> <p>L </p> <p>L P </p> <p>L F </p> </div> <div style="width: 48%;"> <p>OFF 4P SPST (LED)</p> <p>OFF 4P SPST (LED)</p> <p>OFF 4P SPST (ON) (LED)</p> </div> </div>	
Watertight (防水) <div style="display: flex; justify-content: space-between;"> <div style="width: 48%;"> <p>A 8 </p> <p>B 8 </p> <p>B 8 F </p> <p>C 8 </p> <p>D 8 </p> <p>F 8 </p> </div> <div style="width: 48%;"> <p>OFF 2P SPST</p> <p>OFF 3P SPST (NEON)</p> <p>OFF 3P SPST (ON) (NEON)</p> <p>ON 3P SPDT</p> <p>ON OFF ON</p> <p>OFF 2P SPST (ON)</p> </div> </div>	
<div style="width: 48%;"> <p>E 8 </p> </div> <div style="width: 48%;"> <p>(OFF) 2P SPST</p> </div>	