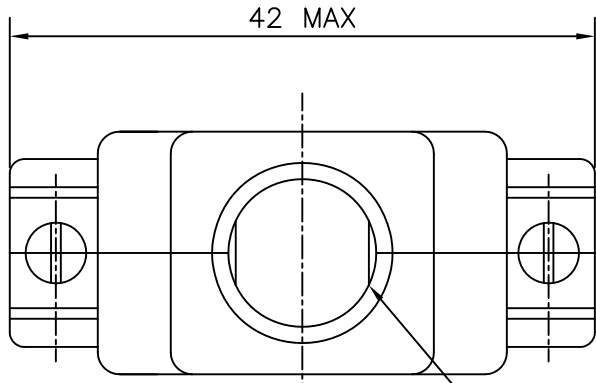
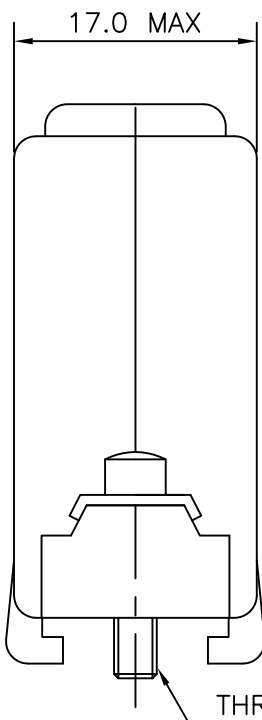
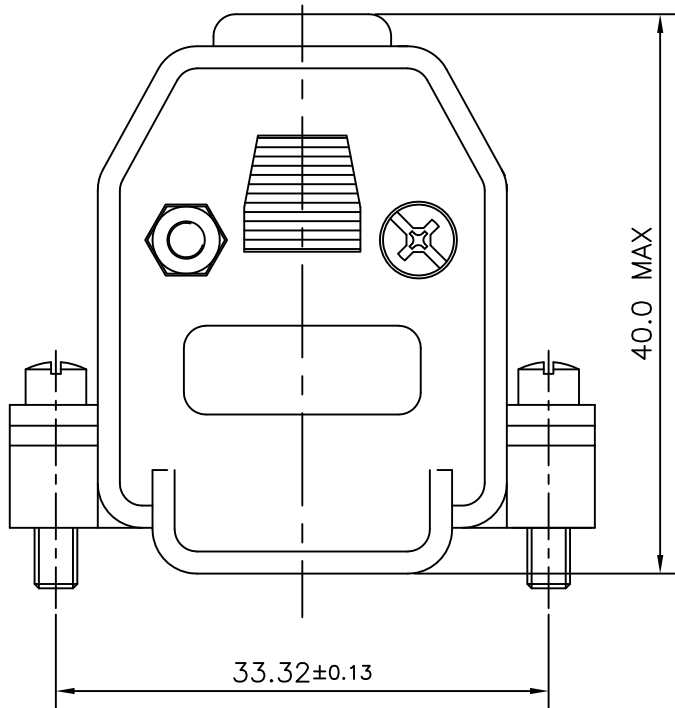


| | | |
|--------|----------------|---------|
| 4 | 8630-CH15UNCLF | UNC 440 |
| 3 | 8630-CH15LF | M3 |
| 2 | 8630-CH15 UNC | UNC 440 |
| 1 | 8630-CH15 | M3 |
| SL.NO. | PART NO: | THREAD |



CABLE ENTRY ϕ 10MAX.



THREAD

"This LF product meets European Union Directives and other country regulations as described in GS-22-008"
Packaging as per GS-14-920

MATERIAL:-
1.NYLON 6 30% GF UL 94V-0 (OPTIONAL)
2.ABS UNFILLED UL 94 HB (STANDARD)
3.TEMP RANGE -55°C +85°C

| | | | | | | | | | | | | |
|-------------|----------|----------|------------|--|------------------|----------------------------|--|------------|------------------|-----------------------|--------------|--------|
| mat'l. code | | | | surface ISO 1302 <input checked="" type="checkbox"/> | | tolerance ISO 406 ISO 1101 | | projection | | product family D-SUB | | |
| ltr | ecn no | dr | date | tolerances unless otherwise specified | | | | | | title | | |
| D | 106-0074 | MINI | 2006/06/08 | angles | linear | | | MM | | CONNECTOR HOOD 15 POS | | |
| E | 110-0122 | AMR | 2010/05/29 | | | .00±0.1 | | | | | | |
| F | 110-0231 | AMR | 2010/11/28 | | | 0°±1° | | scale - | | | | |
| | | | | dr | MINI K VANDANATH | 1995/24/03 | | | dwg no | | sheet 1 of 1 | size 5 |
| | | | | enr | ABHILASH M R | 2010/05/29 | | | C-DSUB-0023 | | A4 | |
| | | | | chr | ABHILASH M R | 2010/05/29 | | | Product Customer | | Drawing | |
| | | | | app | SUDHIR VARMA | 2010/05/29 | | | | | | |
| sheet index | | revision | F | | | | | | | | | D |
| | | sheet | 1 | | | | | | | | | |



FCIconnect.com

Copyright FCI