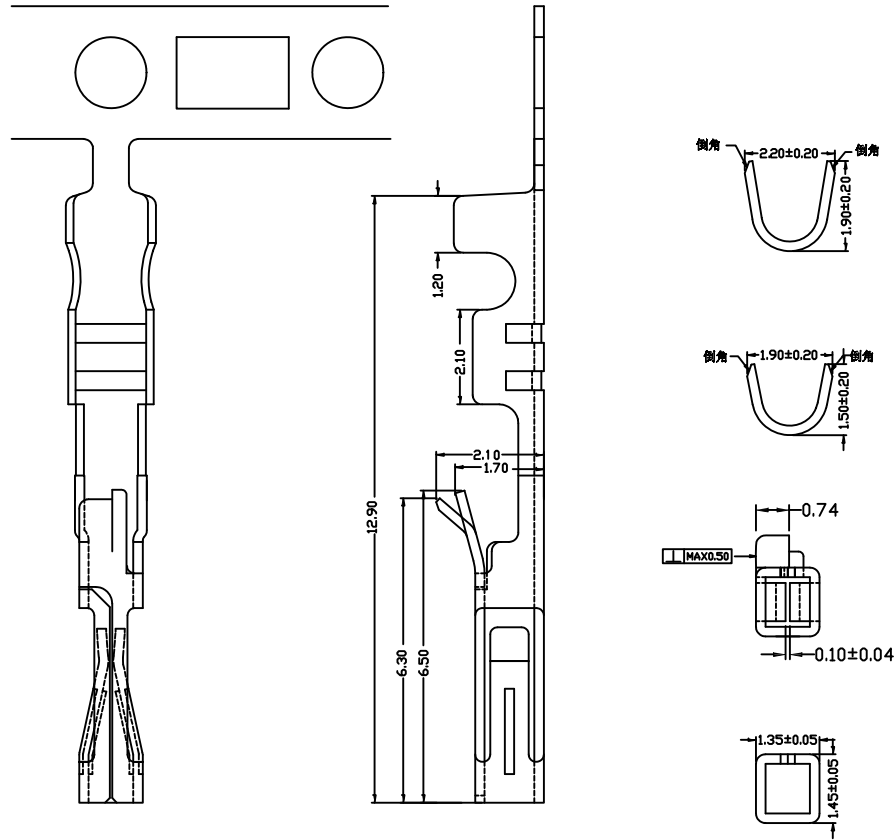


### SPECIFICATIONS

Current Rating: 3A AC/DC  
 Voltage Rating: 250V AC/DC  
 Contact Resistance: 20mΩ Max.  
 Insulation Resistance: 1000MΩ Min.  
 Withstanding Voltage: 1500V AC for 1 min.  
 Temperature Range: -25°C ~+85°C



P/N	Wire Range	Insulation O.D.	Material	Finish	Qty/reel
T2549-TP	AWG#22~#26	1.63mm(max)	Phosphor Bronze	Tin plated	15,000pcs
T2549-GP	AWG#22~#26	1.63mm(max)	Phosphor Bronze	Gold plated	15,000pcs
T2549-SP	AWG#22~#26	1.63mm(max)	Phosphor Bronze	G/F on contact Nickel on bottom	15,000pcs

<b>MCT</b>	PART NO.	T2549-XX	DRAWN	Andrew
	DRAWING NO.	T2549-XX	CHECKED	Claudia
	DATE	2020/06/08	APPROVED	Brian
TITLE: 2.54mm pitch terminal	REV. A0	TOLERANCE .X ±0.25 .XX ±0.20	SCALE 1:1	UNIT mm