

SPECIFICATIONS

Current Rating: 1A
 Contact Resistance: 50m Ω Max
 Insulation Resistance: 100M Ω Min
 Withstanding Voltage: 100V AC for 1 minute
 Temperature Range: -30°C to +80°C
 Total Mating Force: 3.57Kgf Max.
 Total Unmating Force: 1.0Kgf Min.

MATERIAL

Contacts: Copper Alloy, t=0.20mm
 Insulator: High-Temp. Thermoplastic+G.F., UL94V-0
 Shell: Copper Alloy, Nickel

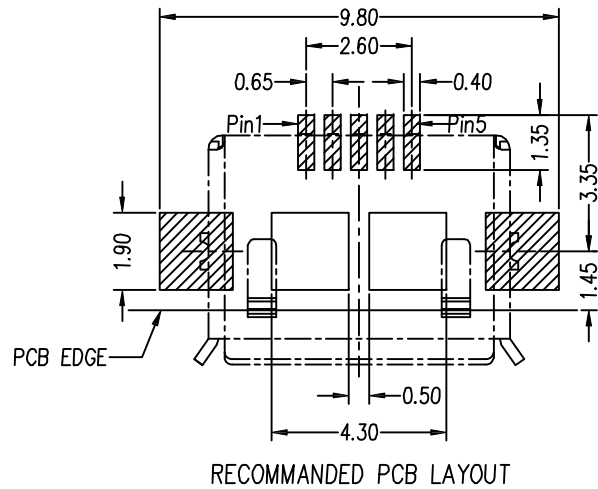
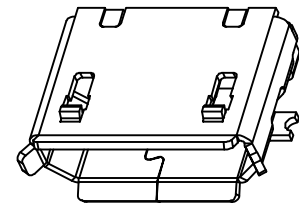
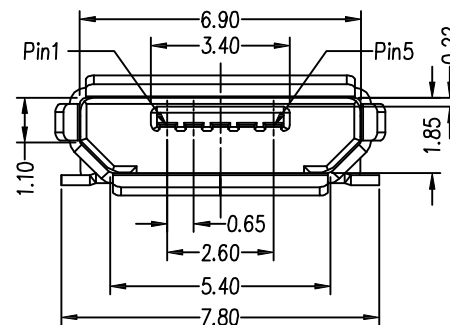
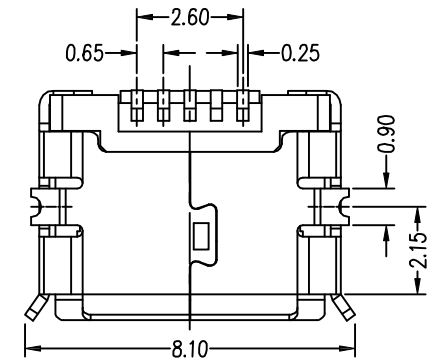
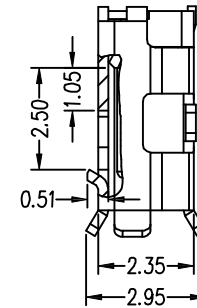
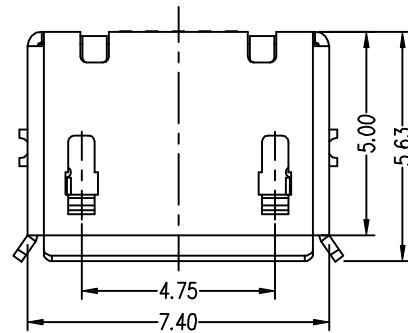
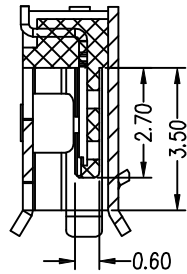
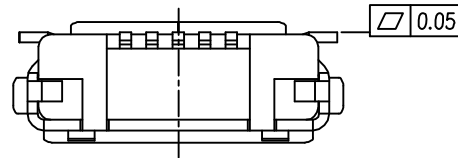
ORDER INFORMATION

USBMIB

XX - F05RM

Micro USB B type

S0: Selective Flash
 S4: Selective 15u"
 S5: Selective 30u"



MCT	PART NO.	USBMIBXX-F05RM	DRAWN	Andrew				
	DRAWING NO.	USBMIBXX-F05RM	CHECKED	Claudia				
	DATE	2020/09/02	APPROVED	Brian				
TITLE:	Micro USB B type SMT	REV. A0	TOLERANCE	.X ±0.25 .XX ±0.20	SCALE	1:1	UNIT	mm