

SPECIFICATIONS

Current Rating: 1.0A AC/DC
 Voltage Rating: 30V AC/DC
 Contact Resistance: 50m Ω Max
 Insulation Resistance: 100M Ω Min
 Withstanding Voltage: 100V AC for 1 minute
 Temperature Range: -40°C to +105°C
 Contact : Copper Alloy
 Housing: LCP, UL94V-0
 Shell: Copper Alloy

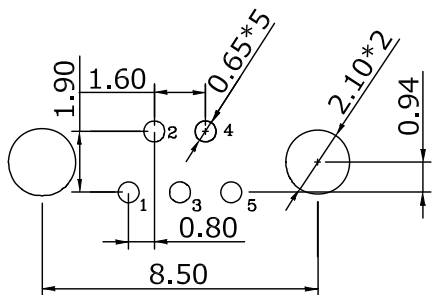
ORDER INFORMATION

USBMNB

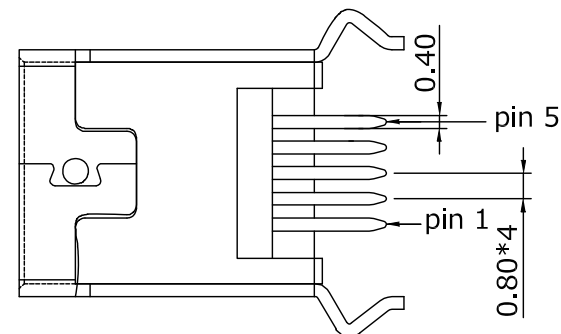
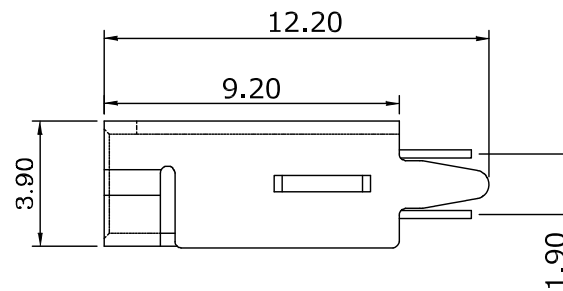
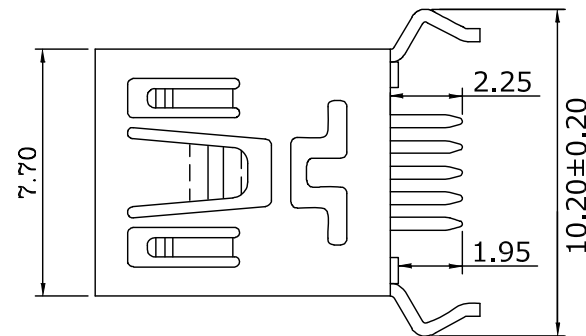
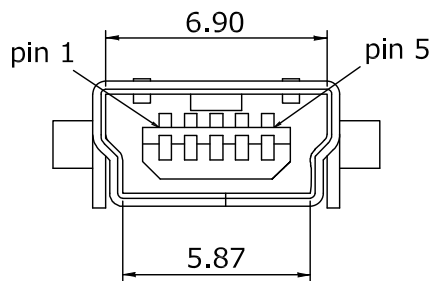
XX - F05VDK

Mini USB B type

S0:Gold flash on contact and 100u"
 MIN Tin on solder tails
 S4:Gold 15u" on contact and 100u"
 MIN Tin on solder tails
 S5:Gold 30u" on contact and 100u"
 MIN Tin on solder tails



RECOMMENDED PCB LAYOUT



MCT

PART NO.	USBMNBXX-F05VDK	DRAWN	Andrew
DRAWING NO.	USBMNBXX-F05VDK	CHECKED	Claudia
DATE	2016/06/03	APPROVED	Brian

TITLE:	Mini USB B type 5pin Dip	REV.	A0	TOLERANCE	.X ±0.25 .XX ±0.20	SCALE	1:1	UNIT	mm
--------	--------------------------	------	----	-----------	-----------------------	-------	-----	------	----