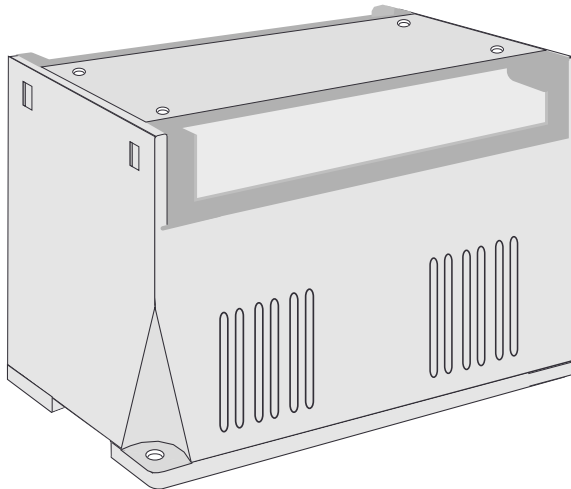


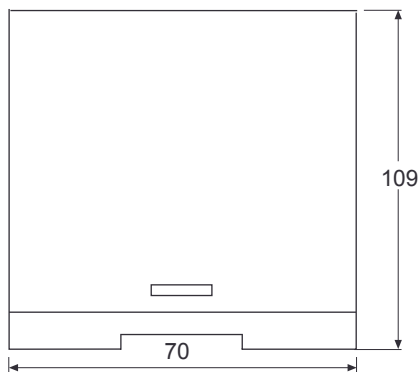
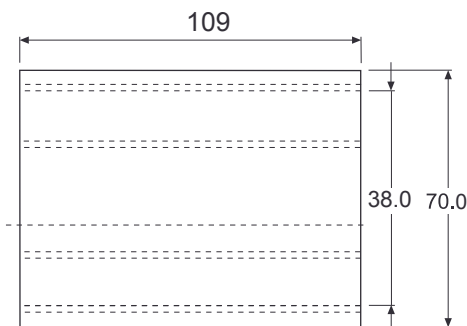
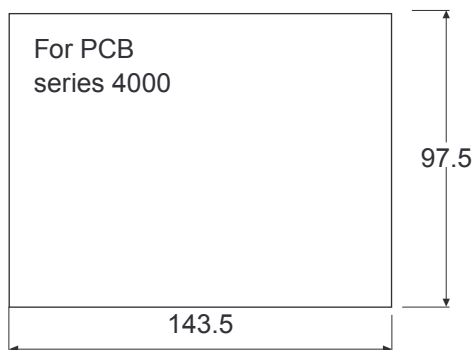
DIN-RAIL MOUNTED ENCLOSURE

**SERIES
REX
4000**

Many other connectors and terminal configurations are available upon request



PCB DIMENSIONS:



A standard pluggable terminal (like Phoenix or any other connector) is mounted with the other components to the PCB. The side parts and front are screwed to the PCB and slid into the box. The unit is ready. The wire part is then just plugged in.

Modular enclosure for M36 DIN-rail. Series REX 4000 is designed for automations equipment and can be used with pluggable terminals, D-sub or other kind of connectors in the front. Holes in the front and sides are available according to customers wishes.

TECHNICAL DATA:

SIDE PARTS:

Material: Lexan 940
 Colour: Black (RAL 7021)
 Max. temperature: 100°C
 Terminals: upto 2 x 23 pluggable or D-sub
 Width: 149 mm.
 Self-extinguishing: Acc. to UL94-V0

BASE PART:

Material: Lexan 940
 Colour: Grey (RAL 7035)
 Max. temperature: 100°C

Mounting: DIN-rail (EN50022)
 Self-extinguishing: Acc. to UL94-V0

Advantages:

Easy and quick/low cost assembly of the unit. No wires need to be soldered etc. Easy test of the unit. You take only the number of terminals you need - lower cost and no mismatch of the wire/installation possible. The connectors are world wide available from multiple sources.

TYPE REX 4000:	ORDER CODE:
Complete	p/n 4969014000
Front, grey incl. 4 screws	p/n 4969014001
Side part black incl. 2 screws	p/n 4969014002
Base part grey with DIN-rail clip	p/n 4969014003
Terminal type 257/8, HO/A, PCB part	p/n 1155708580
Terminal type 256/8, wire part	p/n 1155608080