

Antenna

YG0008AA Datasheet

OC: YG0008AA



About the Document

Revision History

Version	Date	Author	Note
1.0	2020-08-14	Kenny YIN	Initial
1.1	2020-09-15	Kenny YIN	Updated adhesive

Contents

About the Document.....	1
Contents.....	1
1 Product Description.....	2
2 Product Features	2
3 Product Specifications.....	3
4 Overall Performance.....	4
4.1. Test Environment	4
4.2. Return Loss Characteristics.....	5
4.3. Measured Input Impedance on a Smith Chart.....	6
4.4. Test Condition Ground Plane	7
5 Product Size	8

1 Product Description

The antenna is designed for superior performance, and can be widely used for wireless applications.

We provide comprehensive antenna design support such as simulation, testing and manufacturing for custom antenna solutions to meet your specific application needs.

2 Product Features

- GNSS
- High efficiency
- Excellent performance

3 Product Specifications

Passive Electrical Specifications

Frequency Range	1575.42 ±2 MHz & 1602 ±2 MHz: In the Machine 1601.4 ± 2 MHz: By Test Ground Plane	
Input Impedence	/	
S11	< -20	By Test Ground Plane
Gain	/	
Polarization Type	R.H.C.P	

Mechanical Specifications

Antenna Size	18.4 mm × 18.4 mm × 4 mm	
Casing	Ceramics	
Radiator	Silver	
Connect Type	/	
Working Temperature	-40 °C to +85 °C	
Radome Color	/	

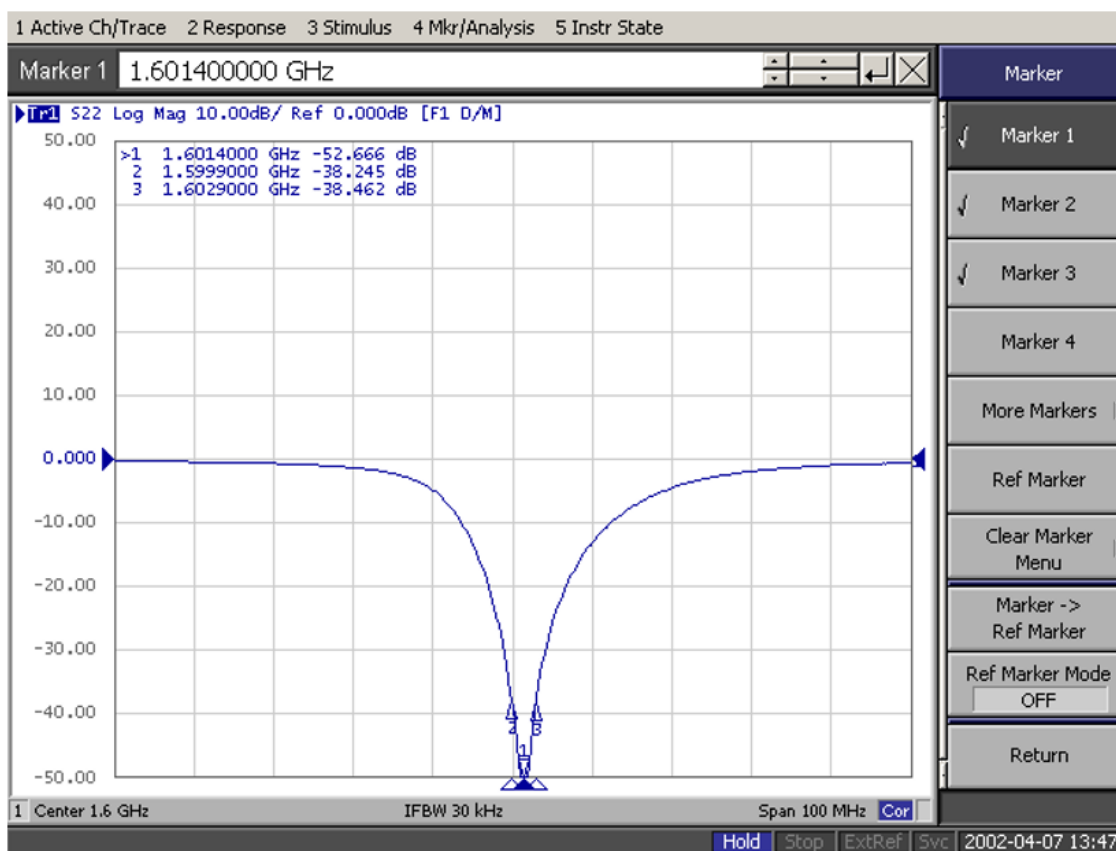
4 Overall Performance

4.1. Test Environment

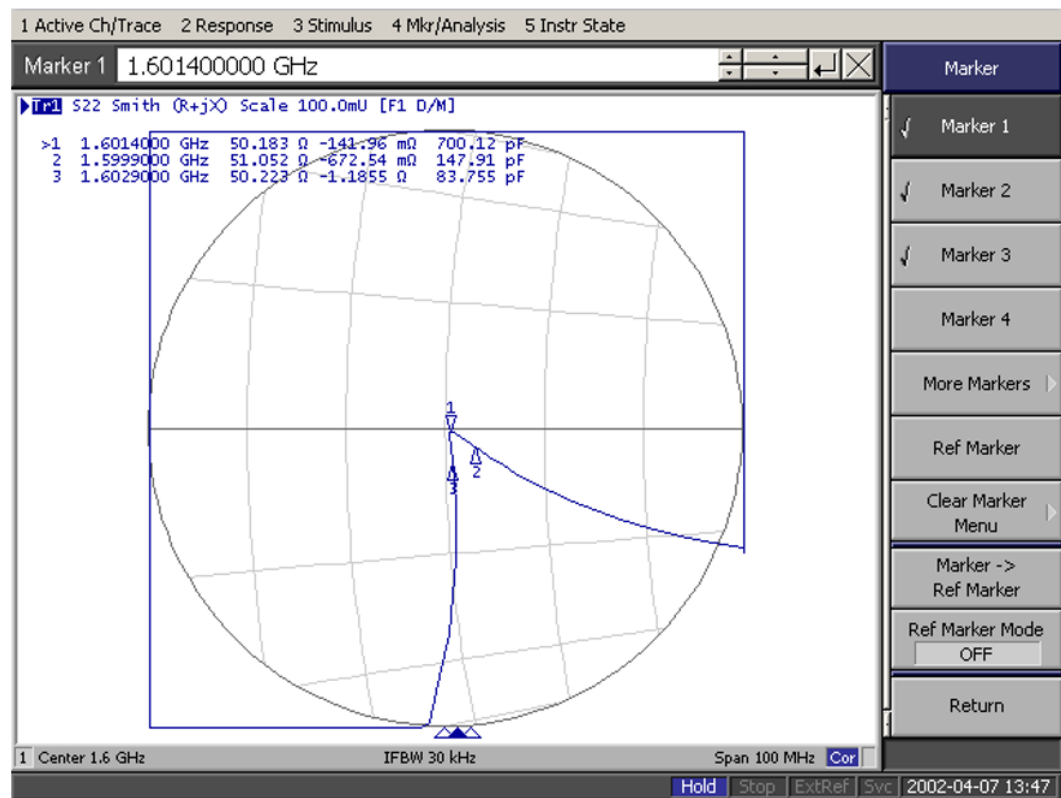
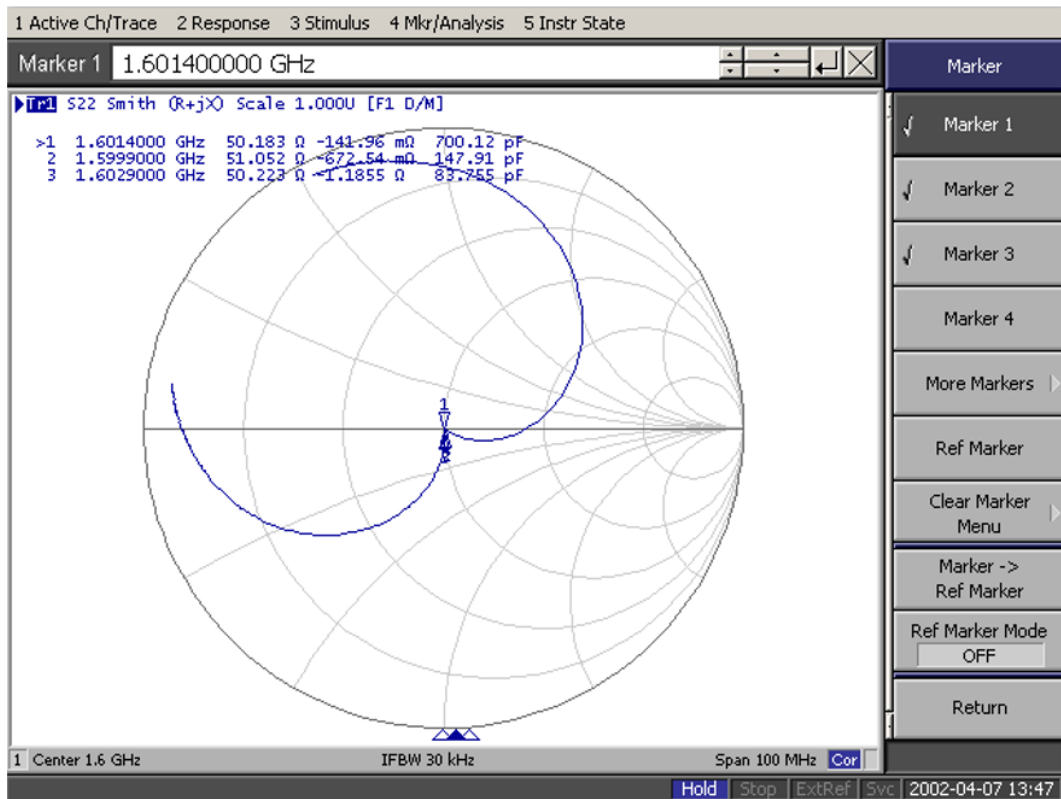
- KEYSIGHT VNA Network Analyzer E5063A 100 kHz–6.5 GHz
- RayZone® 2800 Chamber 5G (FR1) SISO/MIMO, 400 MHz–6.0 GHz.



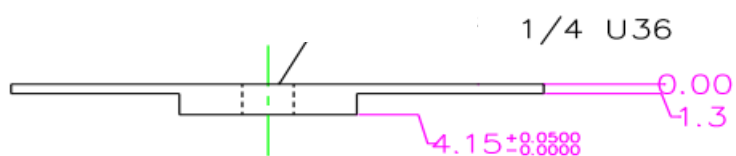
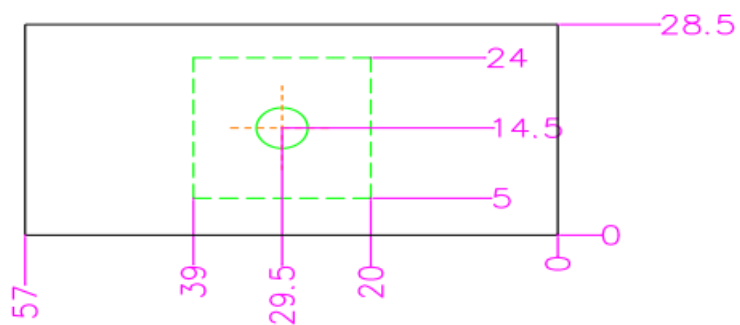
4.2. Return Loss Characteristics



4.3. Measured Input Impedance on a Smith Chart

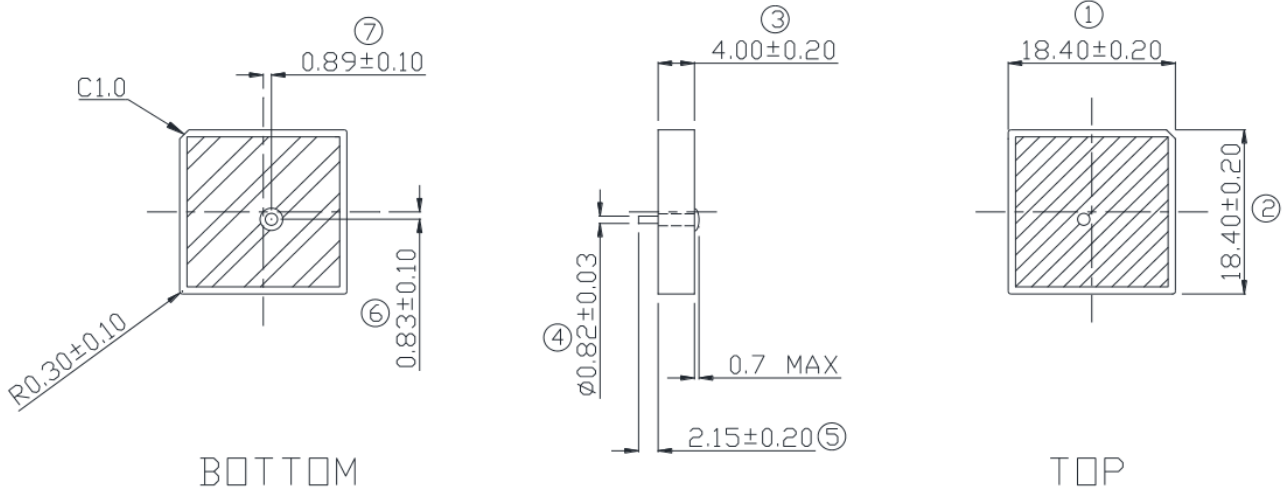


4.4. Test Condition Ground Plane



5 Product Size

ROHS



Adhesive Transfer Tape Specification

Thickness : 0.13 ± 0.02 mm

3M F9469PC, TOL: +/-0.3

Release Liner : 0.1mm (typ.) printed paper or paper

Dimension : mm

