

reServer








Powerful edge computing closer to the real world

Assembly Guide

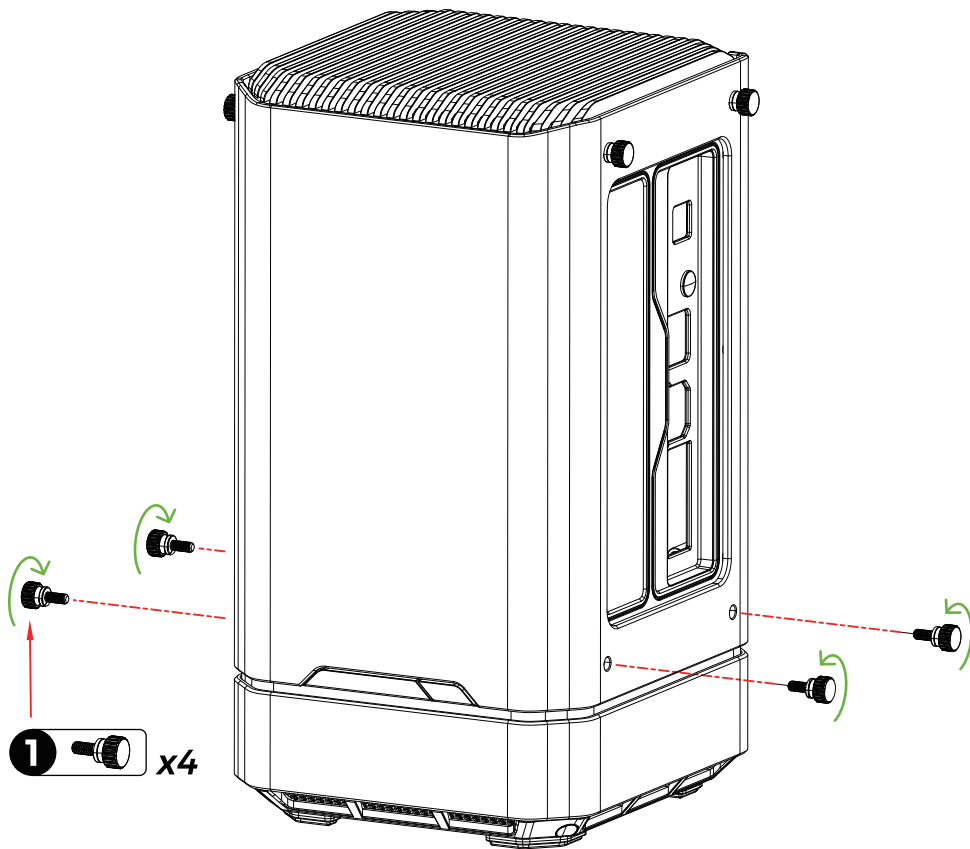
For more information, please scan
this QR code to visit our wiki:



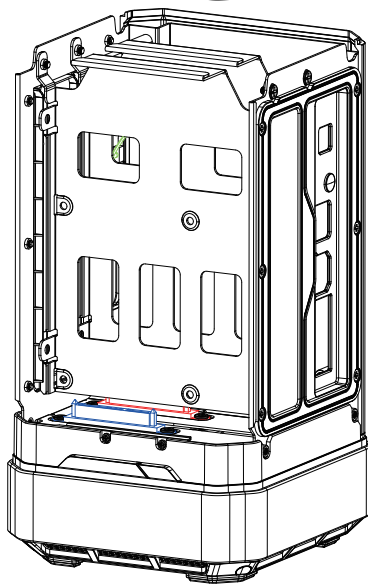
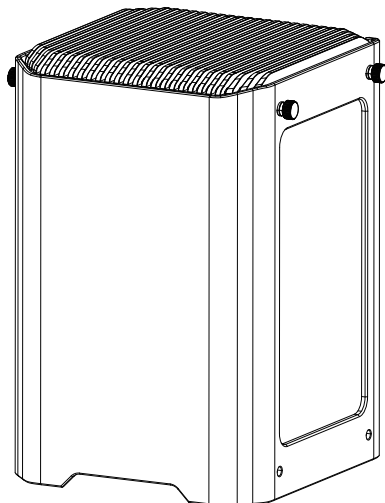
<https://wiki.seeedstudio.com/reServer>

1	2	3	4	5	6	7
						
Thumb screw PM3 x L7	Cross recessed flat head machine screw TM3 xL5	Cross recessed countersunk head machine screw KM3 xL5	Silicone plug	Cross recessed round head machine screw KM3 xL30	Cross recessed round head machine screw PM3xL6	Cross recessed countersunk head machine screw #6-32xL5

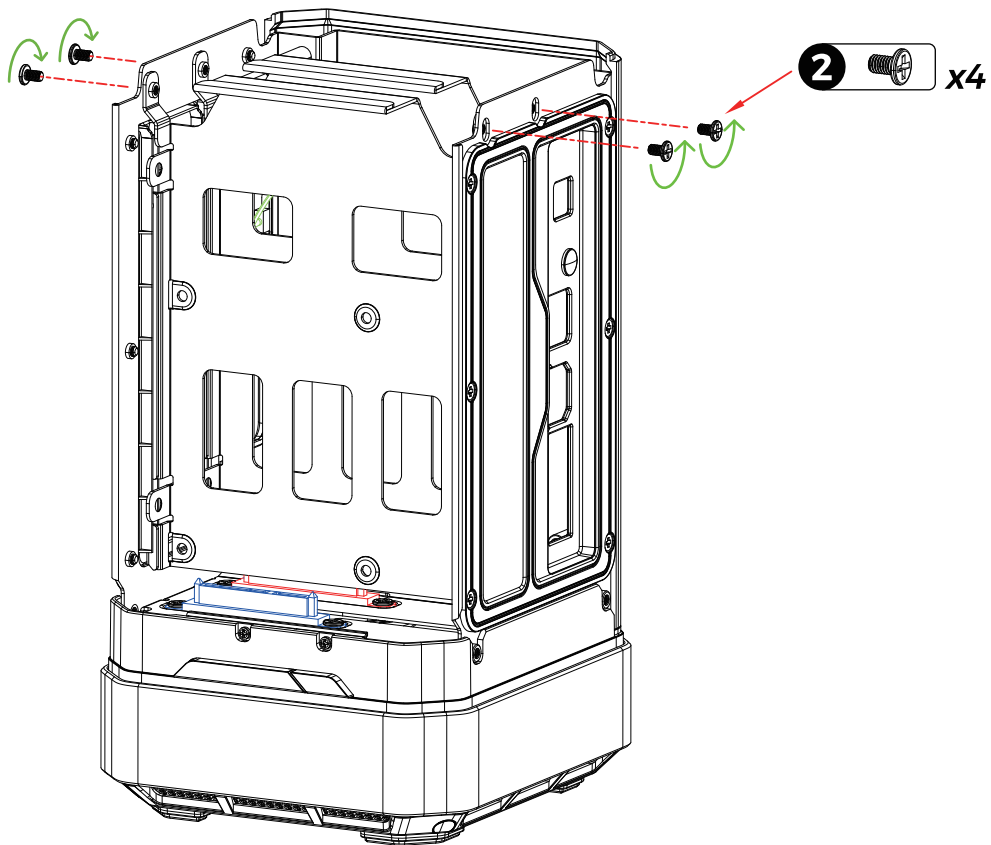
Step 1



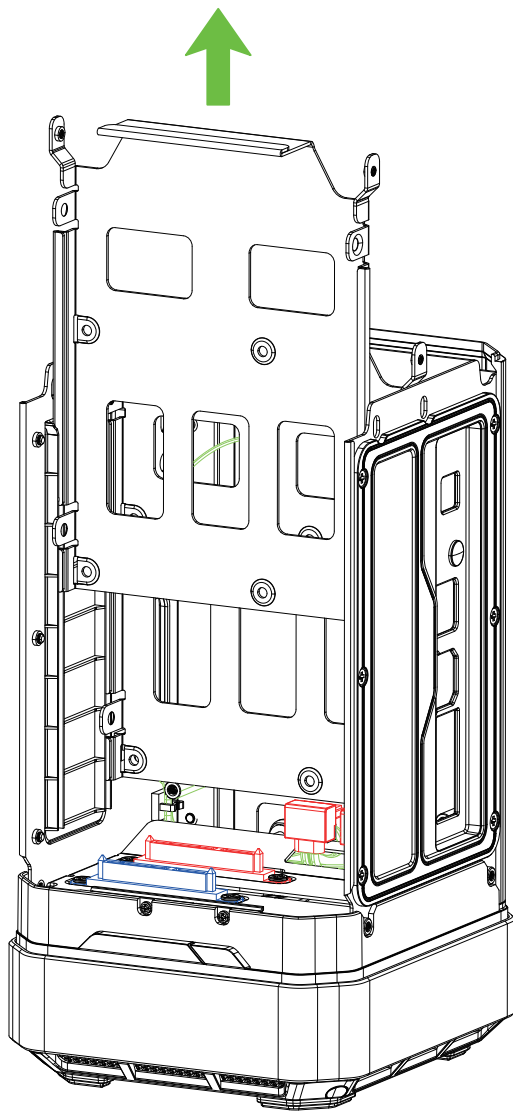
Step 2



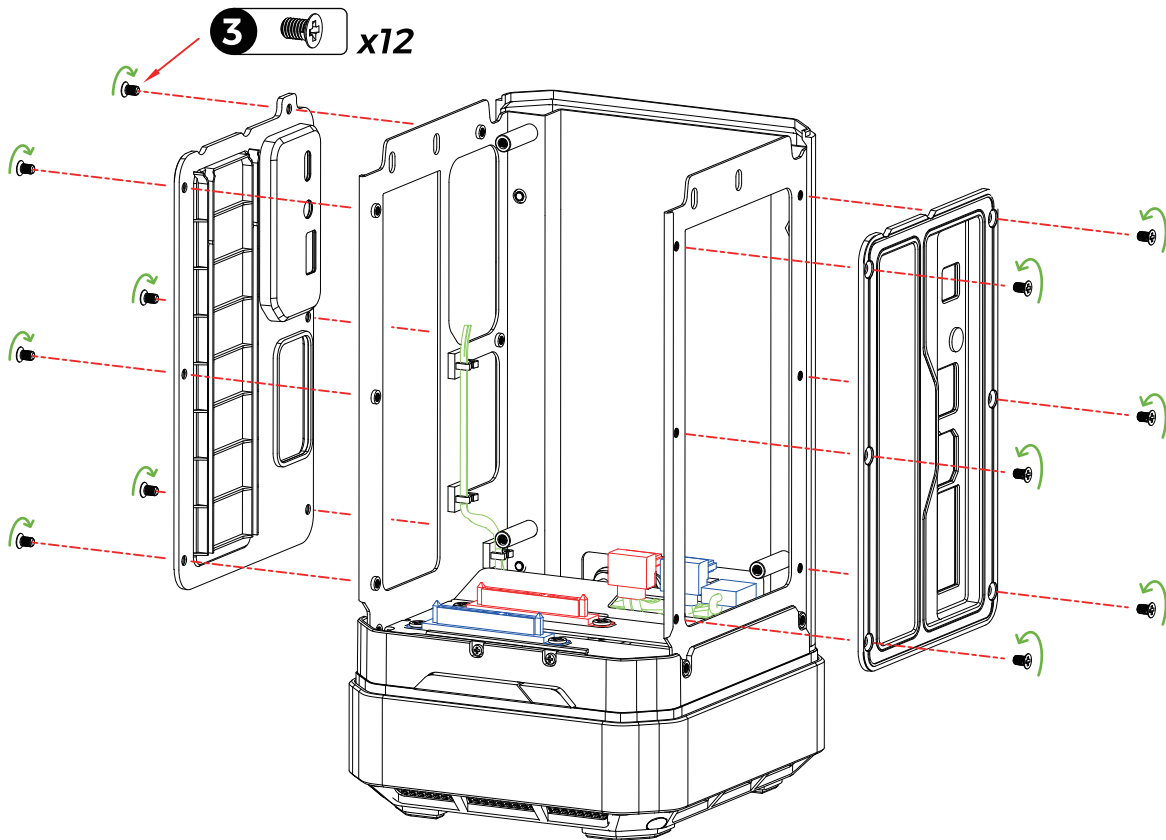
Step 3



Step 4




Step 5

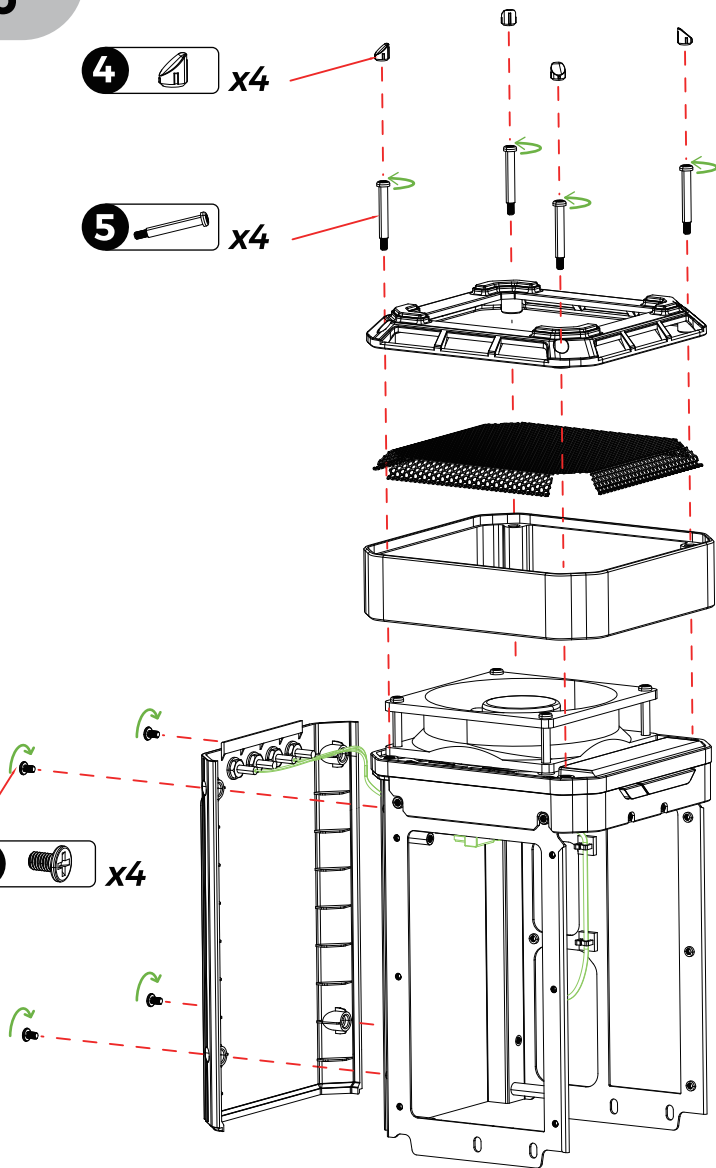


Step 6

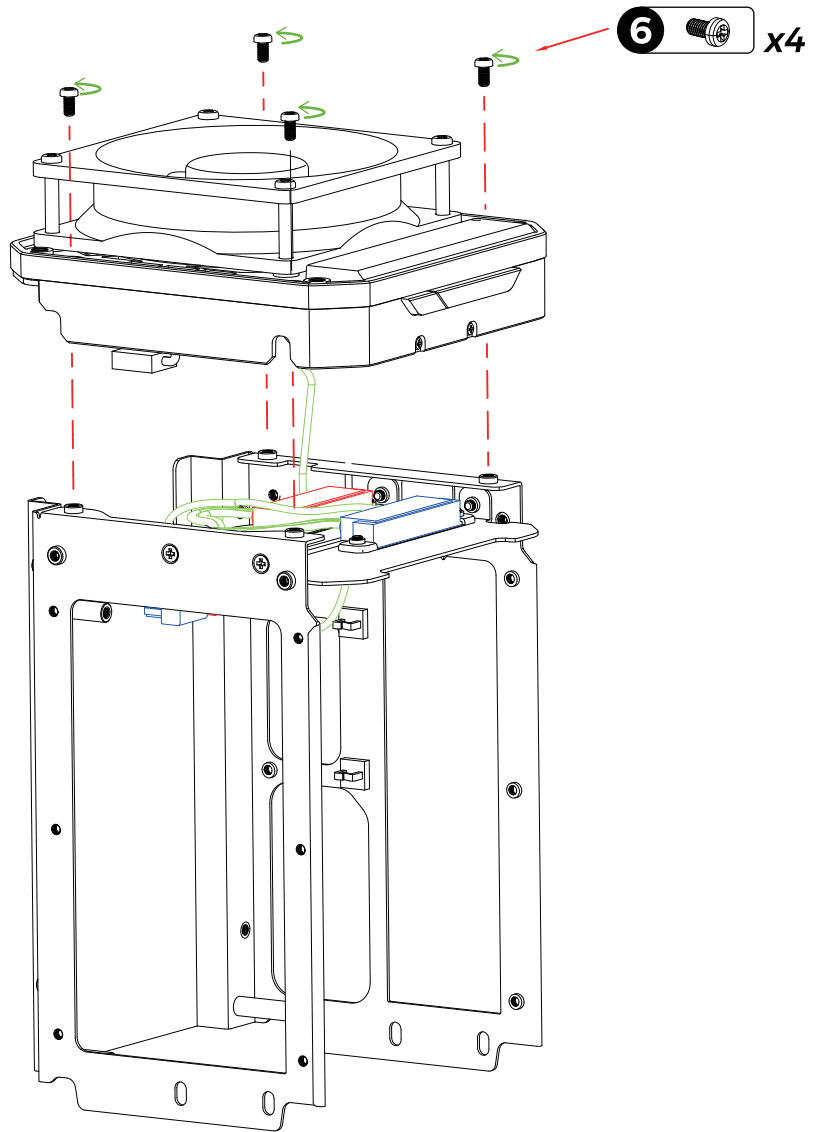
4  x4

5  x4

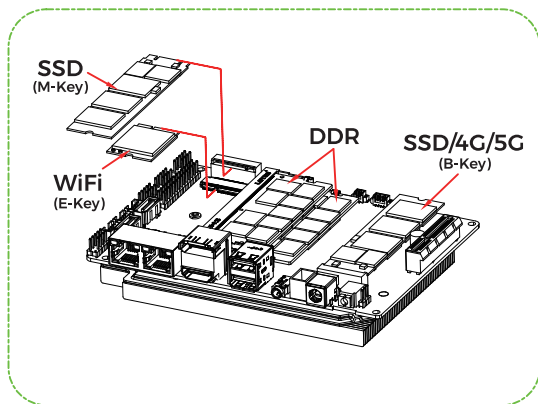
2  x4



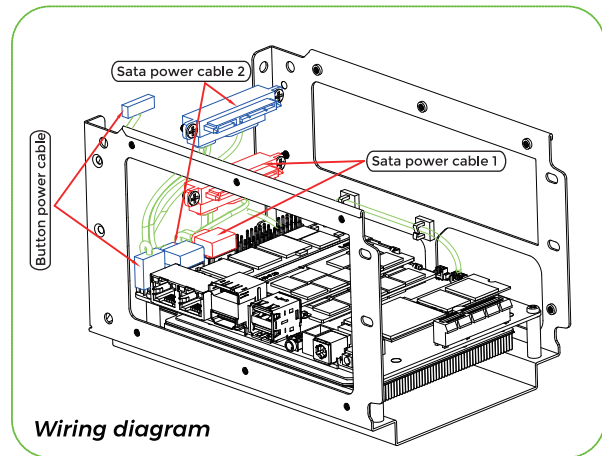
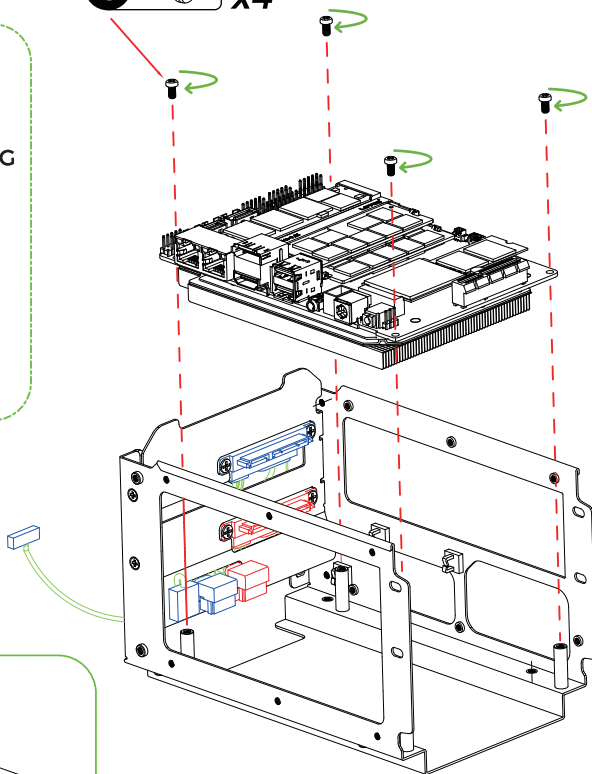
Step 7



Step 8



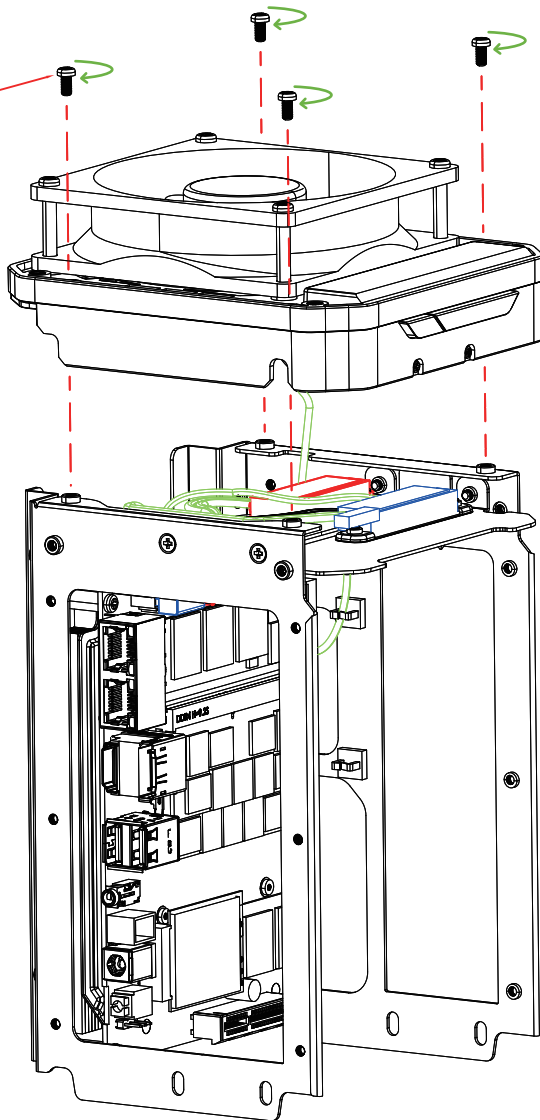
6  x4



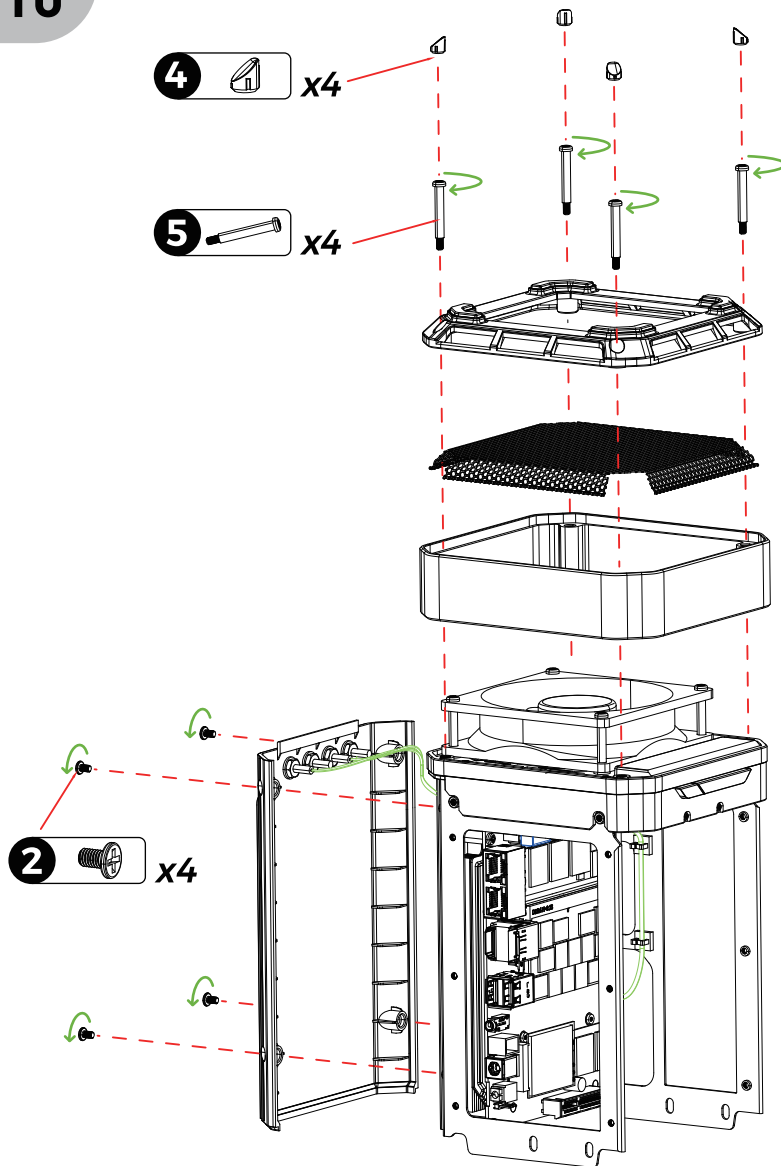
Tips:
connect sata power cable and button power cable to the PCBA first. Then, tighten the screws to fix the PCBA.

Step 9

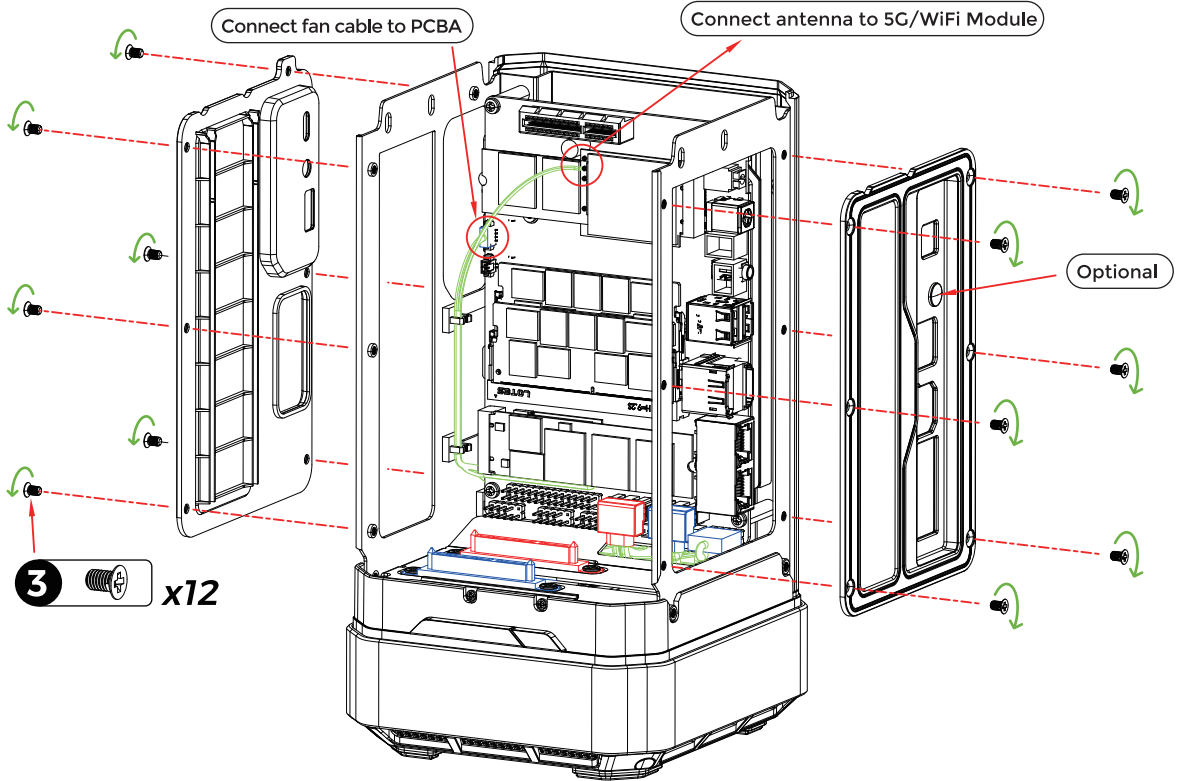
6  x4



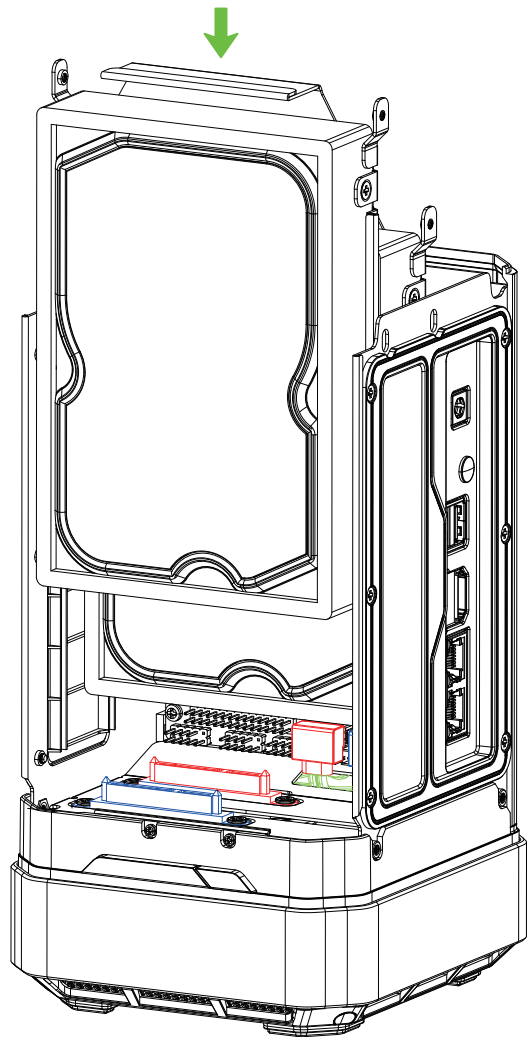
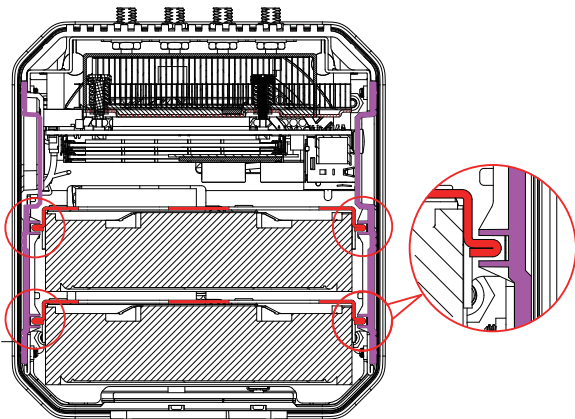
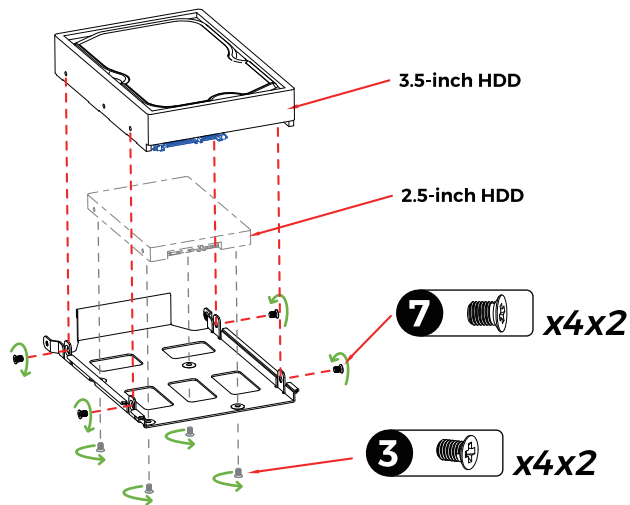
Step 10



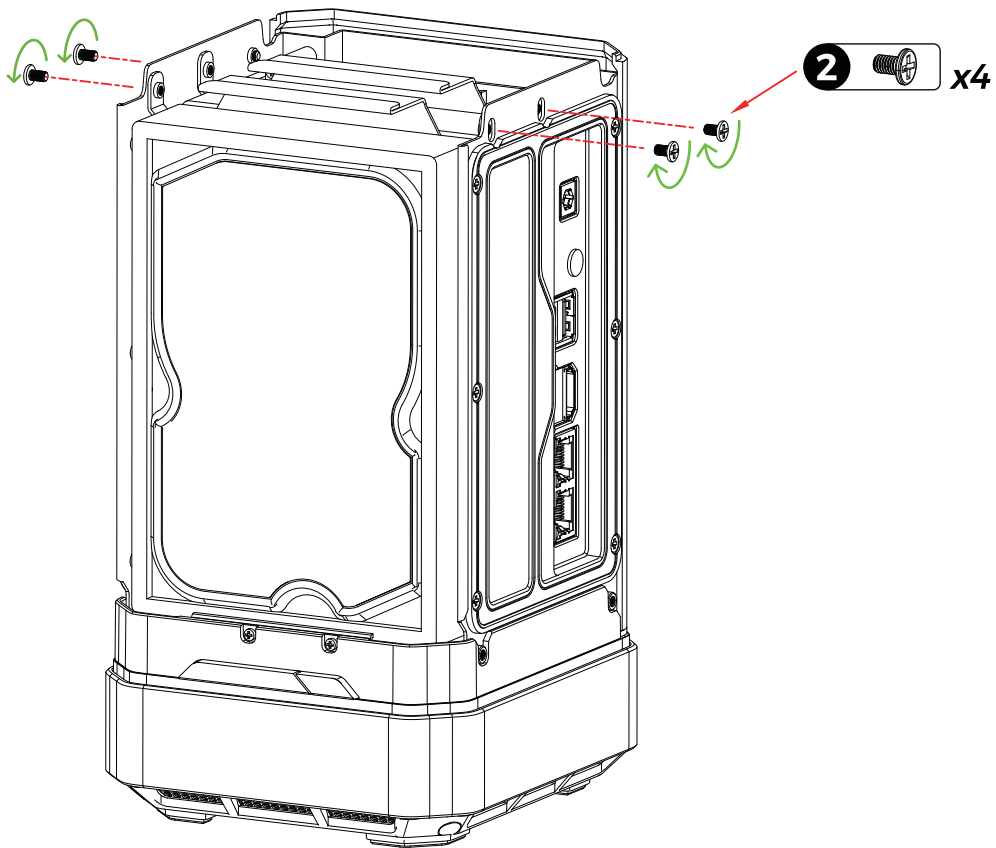
Step 11



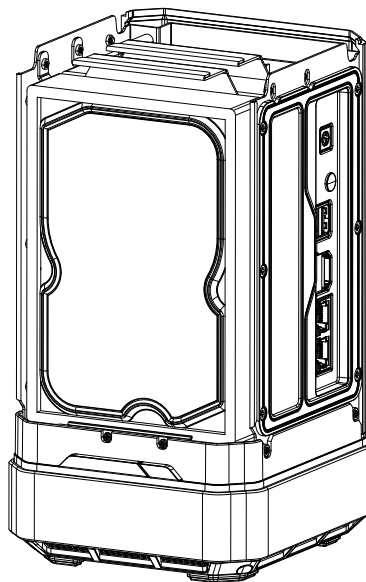
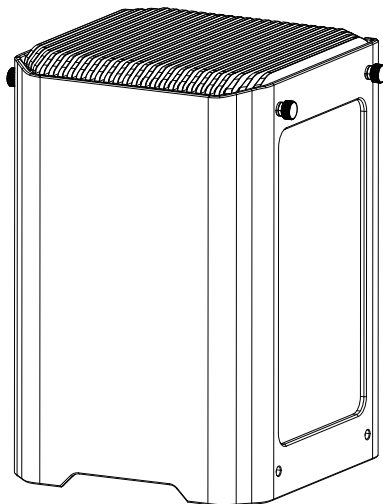
Step 12



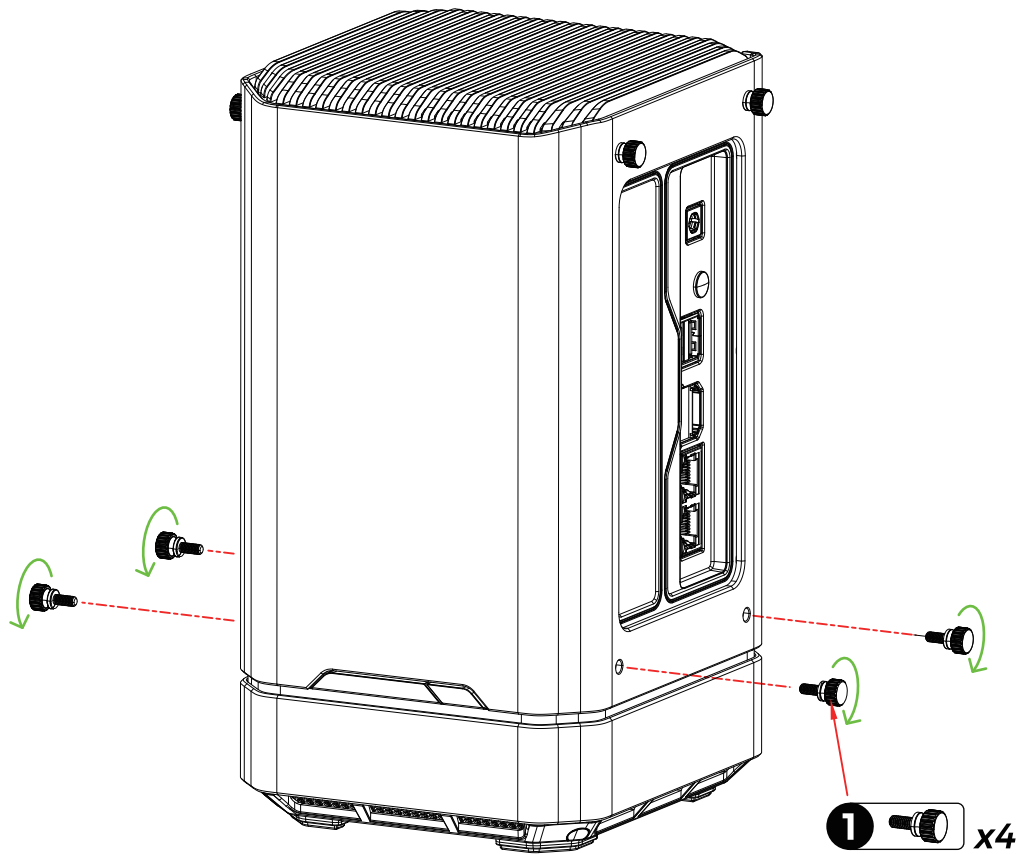
Step 13



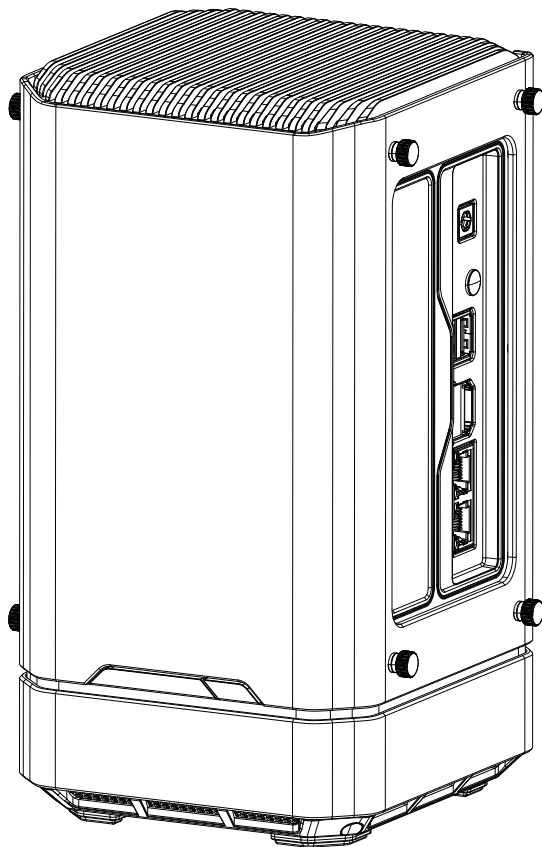
Step 14



Step 15



Step 16



**For more information, please scan
this QR code to visit our wiki:**



<https://wiki.seedstudio.com/reServer>