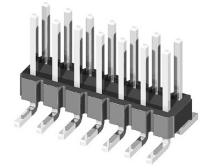


CH81 Series Dual Row SMT Pin Header

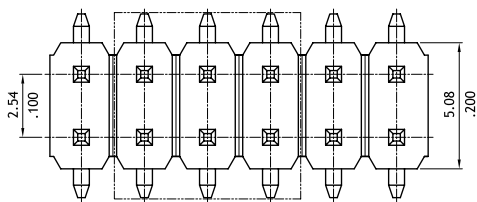
2.54mm(.100") Center spacing

©Mates with CB82,CB83,CB85,CB87,CB91,CB94,CB96 and CB97

RoHS Compliant

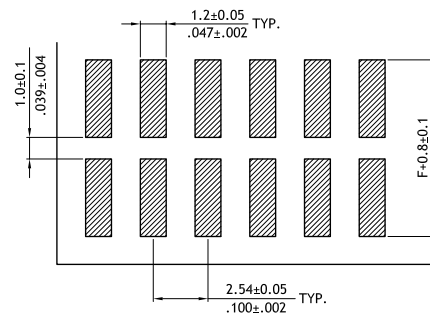
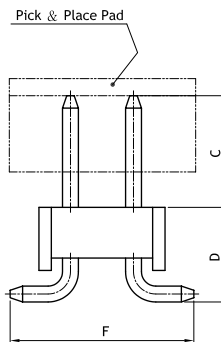
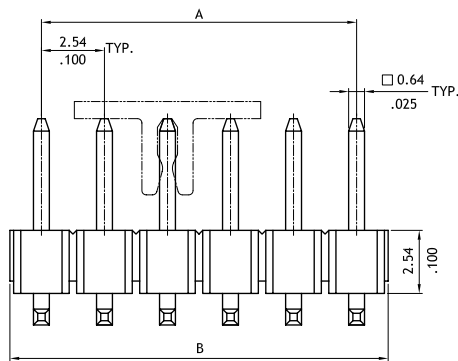


RU :E159616



A = 2.54x No. of Spaces
B = A + 2.36

Option Code	Pin Dimension		
	C	D	F
00	8.80(.346)	3.4(.134)	7.4(.291)
01	6.0(.236)	3.4(.134)	7.4(.291)
02	6.0(.236)	3.81(.150)	7.4(.291)



Recommended P.C. Board Layout

Ordering Code

1 **2** **3** **4** **5** **6** **7** **8**
CH 8 1 2 M 1 00 - 00

- 1** Series No. 04 to 80
- 2** Circuits: 04 to 80
- 3** Plating code:
2= Gold flash over Nickel plated
*Optional plating available but MOQ requested
- 4** Tail Style:
M= Straight SMT Type
- 5** Insulator Material & Color:
1= Nylon 6T, Color Black
- 6** Other options: 00= Standard
- 7** Pin size :
0= Original design
- 8** 0= Without Pick & Place Pad (Tube packing)
P= With Pick & Place Pad (Tape & Reel)