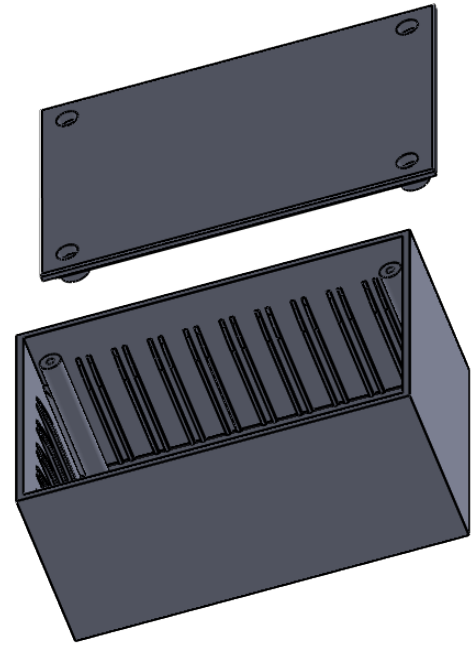
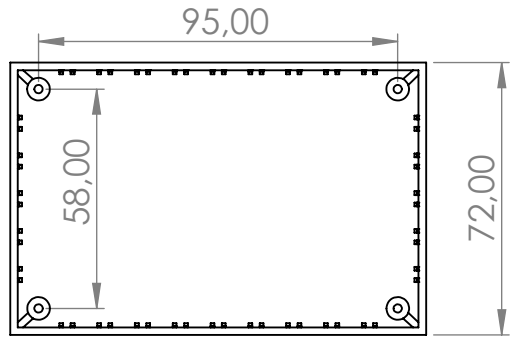


6 5 4 3 2 1

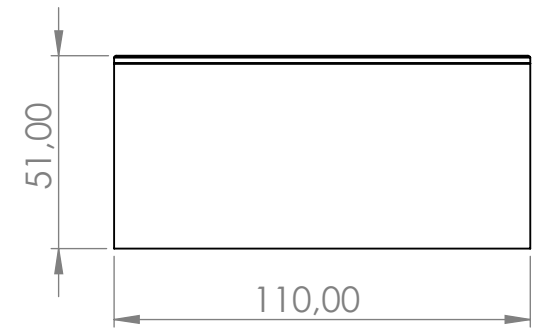
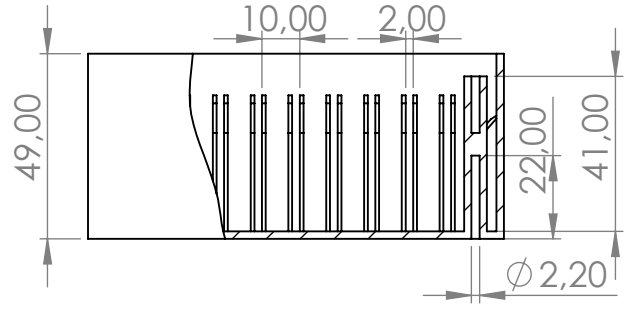
D



D

C

C



B

B



TITLE:		Plastic Box	
DWG NO.:		Box2	
SCALE:1:2		SHEET 1 OF 1	
		A4	

A

A

6 5 4 3 2 1