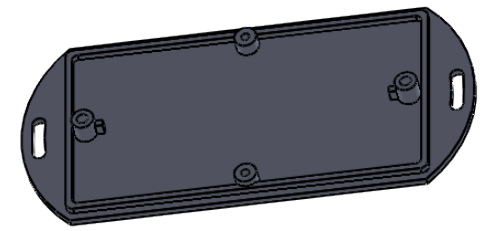
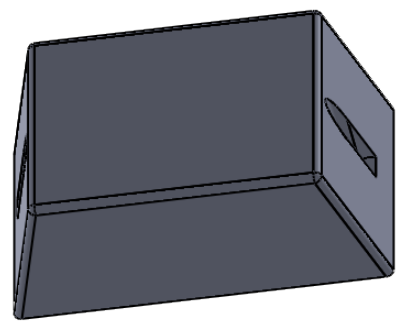
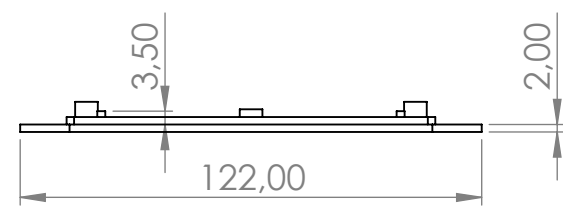
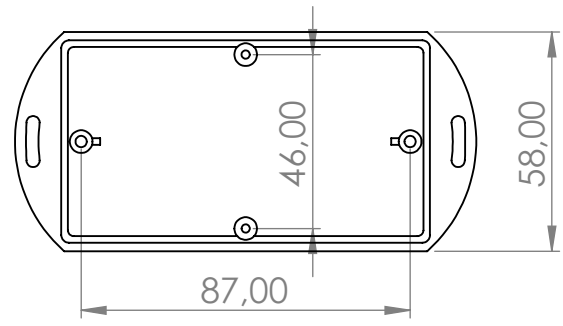
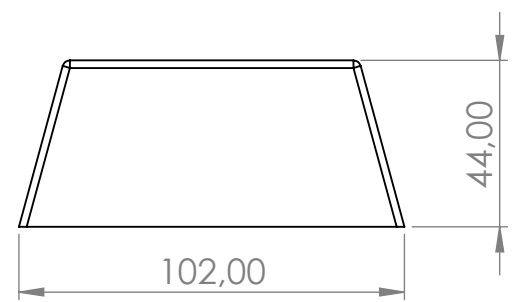
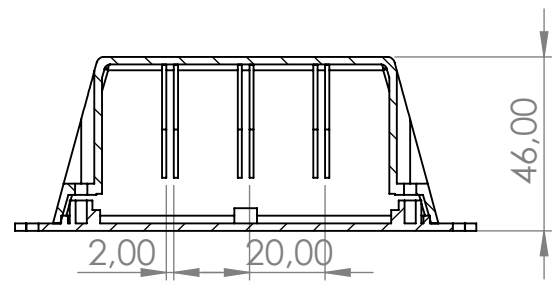


6 5 4 3 2 1



D

C

B

A

TITLE:		Plastic Box	
DWG NO.:		Box4	A4
SCALE:1:2		SHEET 1 OF 1	

6 5 4 3 2 1