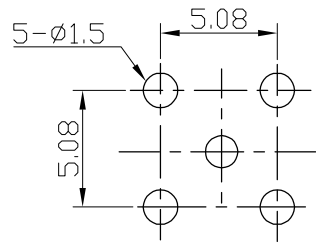
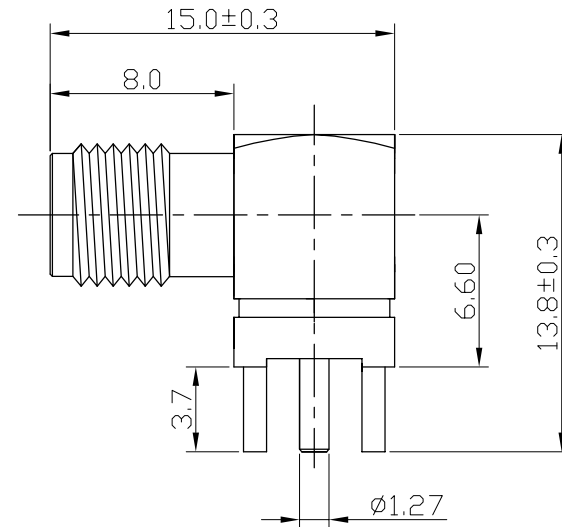
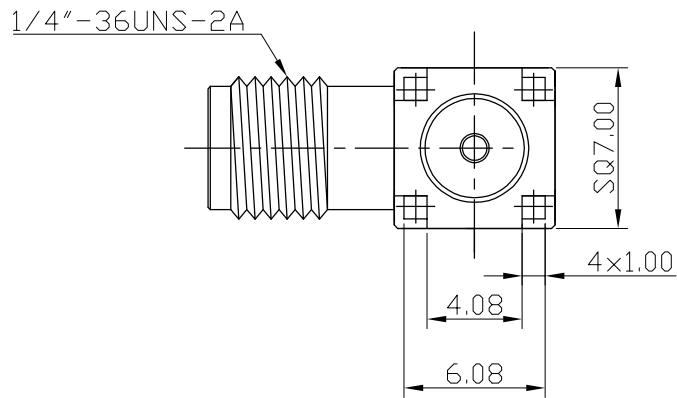


**RoHS COMPLIANT**



RECOMMENDED PCB HOLE



REVISIONS

REV	DESCRIPTION	DATE	APPROVED
1.00	INITIAL DESIGN	2021/05/28	Kelly

**Wellshow Technology Co., Ltd**

TEL:+886-3-3700979 FAX:+886-3-3700955  
Http://www.rfcoaxcable.com

TITLE SMA(F) RA. PCB type, Brass pin

05	INSULATOR A	TEFLON	NONE	1	
04	INSULATOR A	TEFLON	NONE	1	
03	PIN	BRASS	GOLD	1	
02	BODY B	BRASS	GOLD	1	
01	BODY A	BRASS	GOLD	1	
NO	DESCRIPTION	MATERIAL	FINISH	Q'TY	ITEM

DWG NO. C02BNWS02	CUST. P/N: N/A DWG NO: N/A	UNIT mm	REV. 1.00
GENERAL TOLERANCES .X NA .XX NA .XXX NA ANGLES NA	SCALE 3 : 1	APPROVALS	DATE
(UNLESS OTHERWISE SPECIFIED)	SIZE A4	DRAWN BY: Kelly	2021/05/28
		CHK'D BY: Eileen	2021/05/28
	SHEET 1 of 1	APP'D BY: Eileen	2021/05/28