

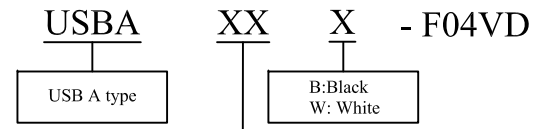
MATERIAL SPECIFICATION:

1. HOUSING:PBT PLASTIC(UL94V-0)
2. CONTACT:BRASS
3. SHELL:BRASS /SPCC

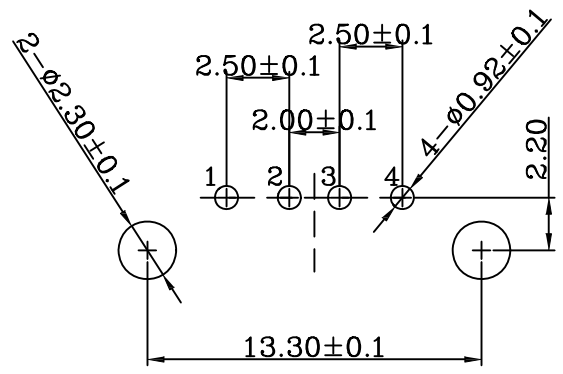
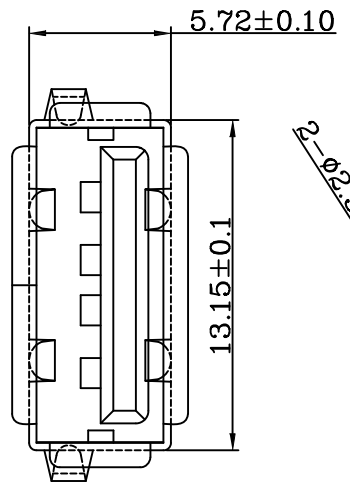
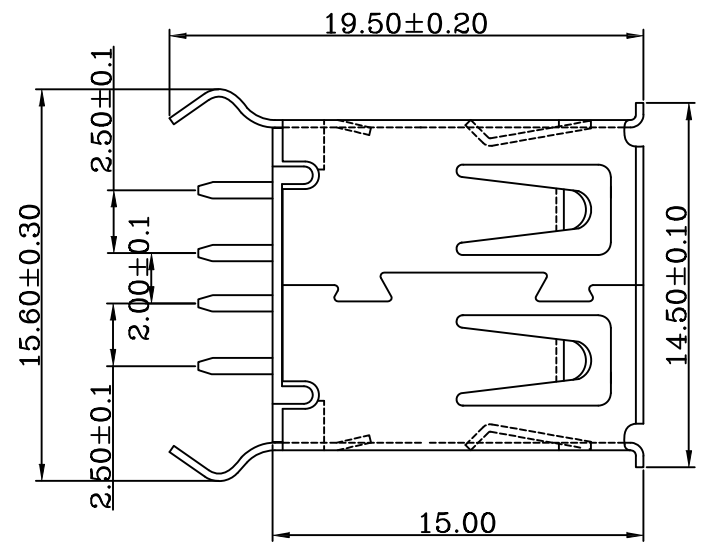
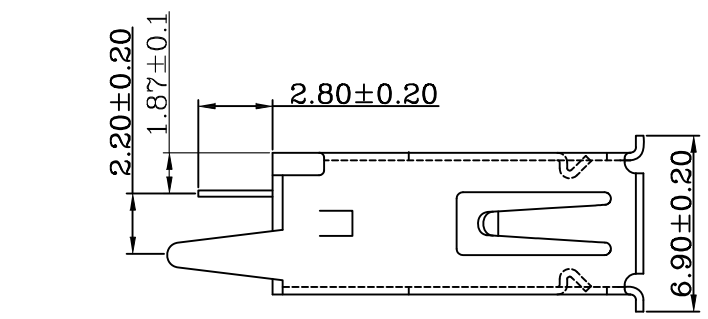
ELECTRICAL PERFORMANCE

1. RATED VOLTAGE(MAX.):30V AC/DC
2. RATED CURRENT(MAX.):1.5A AC/DC
3. DIELECTRIC STRENGTH:500V AC FOR 1 MINUTE BETWEEN ADJACENT TERMINAL, NO BREAKDOWN
4. INSULATION RESISTANCE:1000 MEGOHMS MIN. 500V DC FOR 1 MINUTE BETWEEN ADJACENT TERMINAL
5. CONTACT RESISTANCE:30 MILLIOHM MAX.
6. OPERATING TEMPERATURE:-25° to +80°

ORDER INFORMATION



S0:Gold flash on contact and 100u" MIN Tin on solder tails
 S4:Gold 15u" on contact and 100u" MIN Tin on solder tails
 S5:Gold 30u" on contact and 100u" MIN Tin on solder tails



			MCT			PART NO.	USBAXXX-F04VD	DATA	2012/11/19	
						DRAWING NO.	USBAXXX-F04VD	DRAWN	Sayid	
						CUSTOMER P/N		APPROVED	Max	
REV.	DESCRIPTION	DATA	TITLE: USB A type straight	REV. A	TOLERANCE	.X ±0.25 .XX ±0.20	SCALE	FREE	UNIT	mm