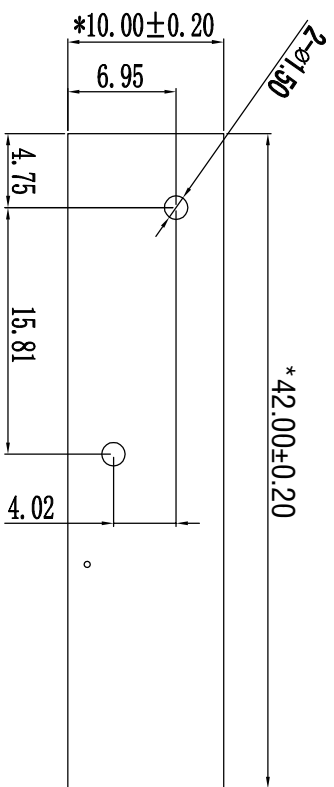
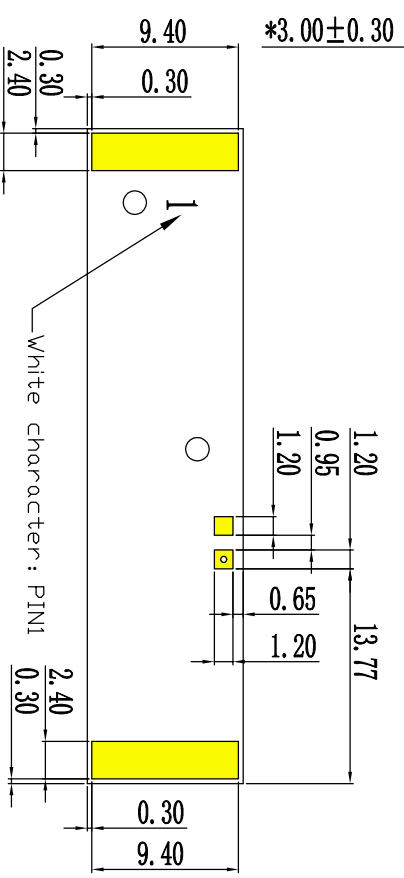




版本	修改内容	修改	日期
A	Raealse	Kenny	20201103
B	Update height tolerance	Kenny	20210317

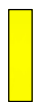


Side



BOTTOM

- Notes:
- 1."\*" is key dimensions;
  - 2.Fr4,T=3mm,ink:Green;
  - 3.RDHS compliant.

 Soldering pad tin spraying

<b>QUECTEL</b> Build a Smarter World 上海移远通信技术股份有限公司		Unit: mm	OC:
		Finish:	YC0002AA
Approved: Shaky		Mat' l: FR4	Part Name:
Checked: Kevin		Color: Green	YC0002_PCB_SMD_Antenna
Drawn: Kenny		Thickness: 3mm	Paper Scale
Date: 2021-03-17		Projection: 	A4 1:1
			Page 1/1
			Rev. B

Tolerance	Angle
0~10	> 40
±0.05	±1°
10~20	
±0.10	
20~40	
±0.15	
> 40	
±0.20	