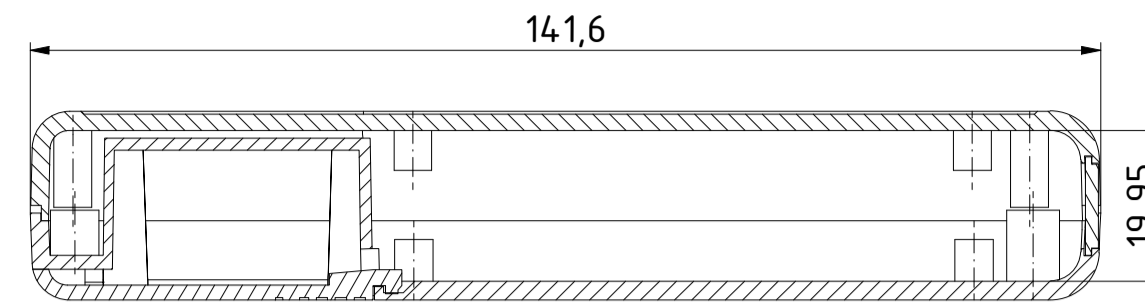
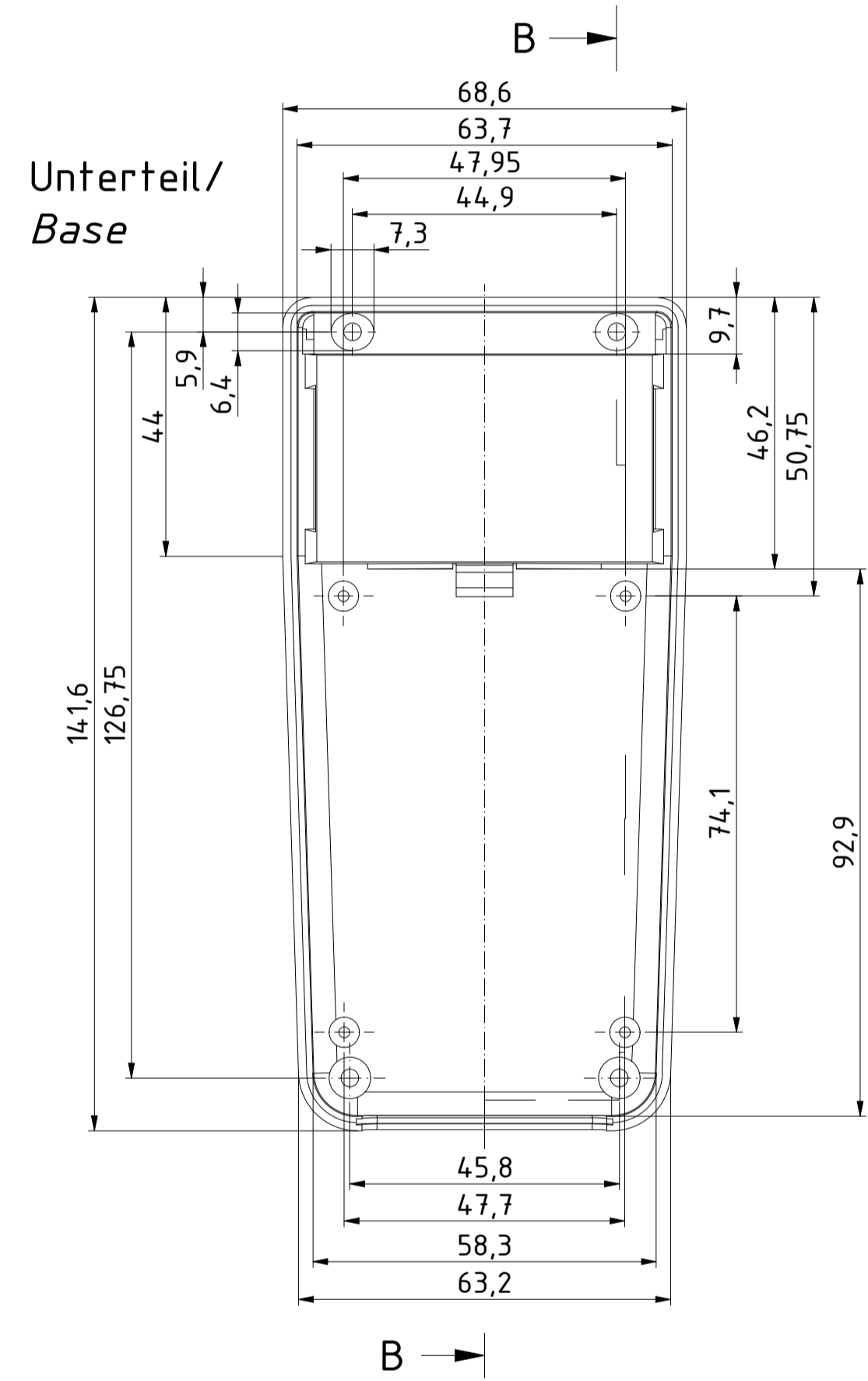
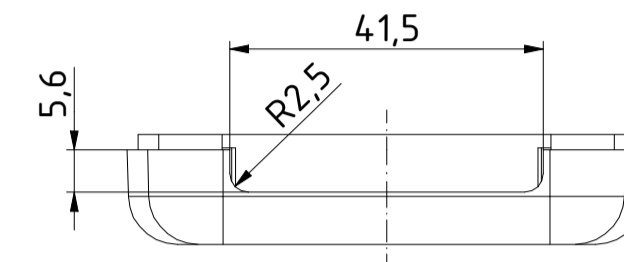
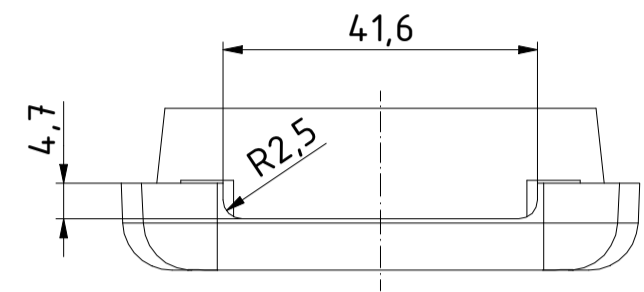
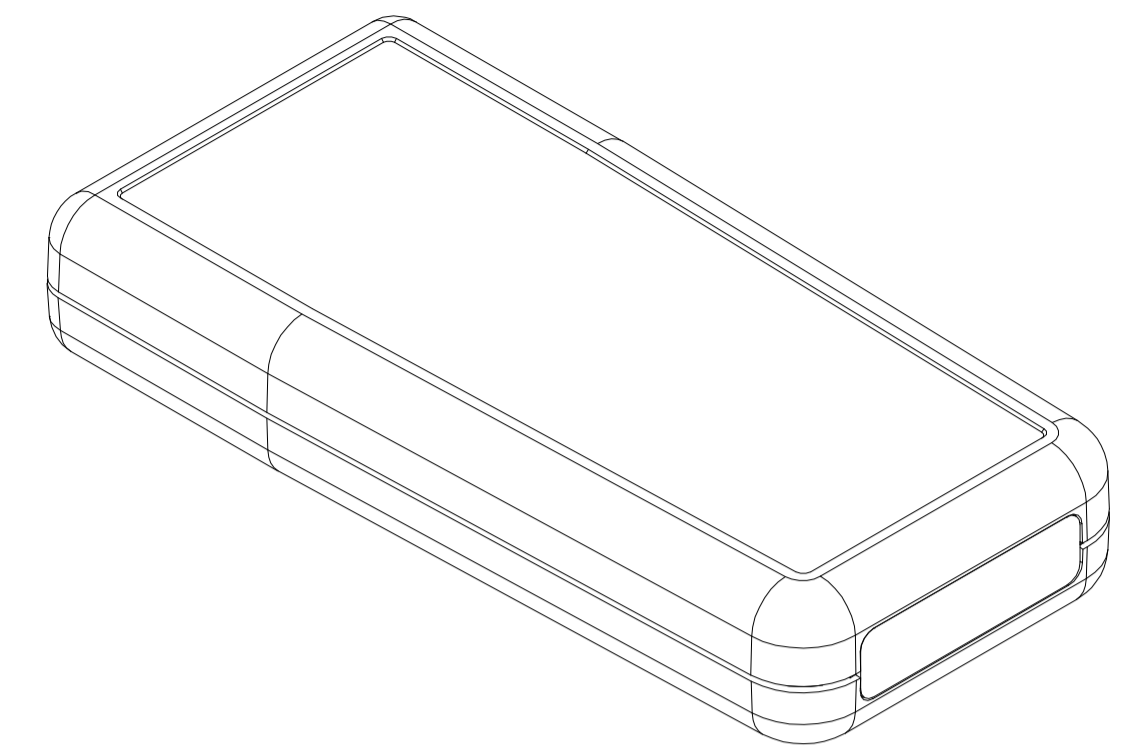


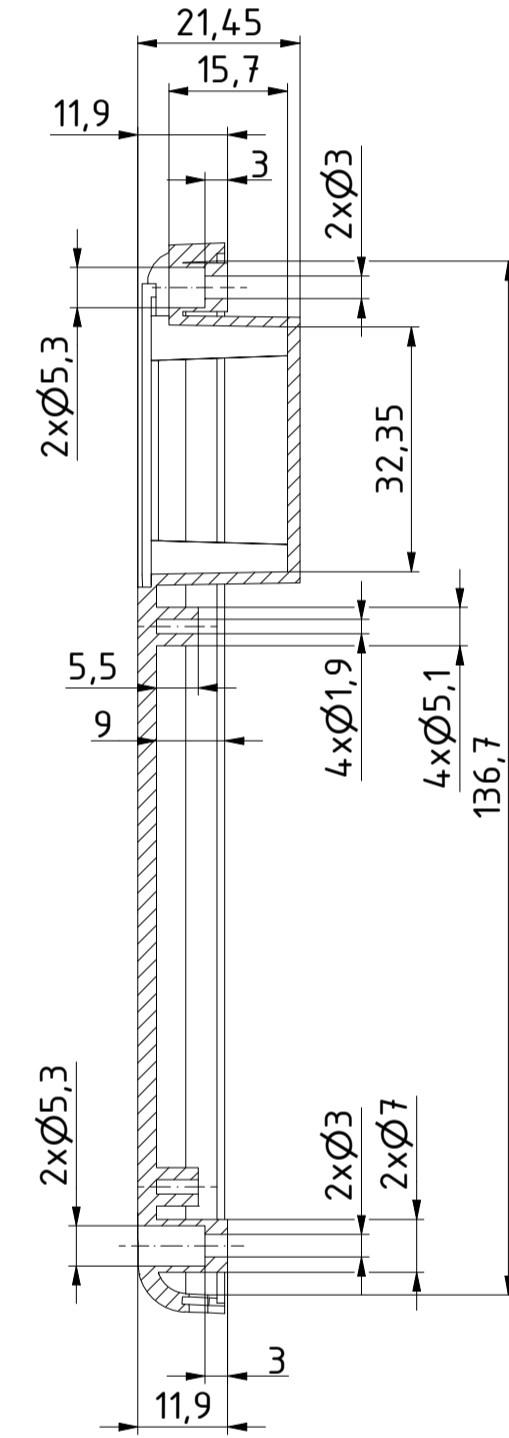
A-A (1 : 1)



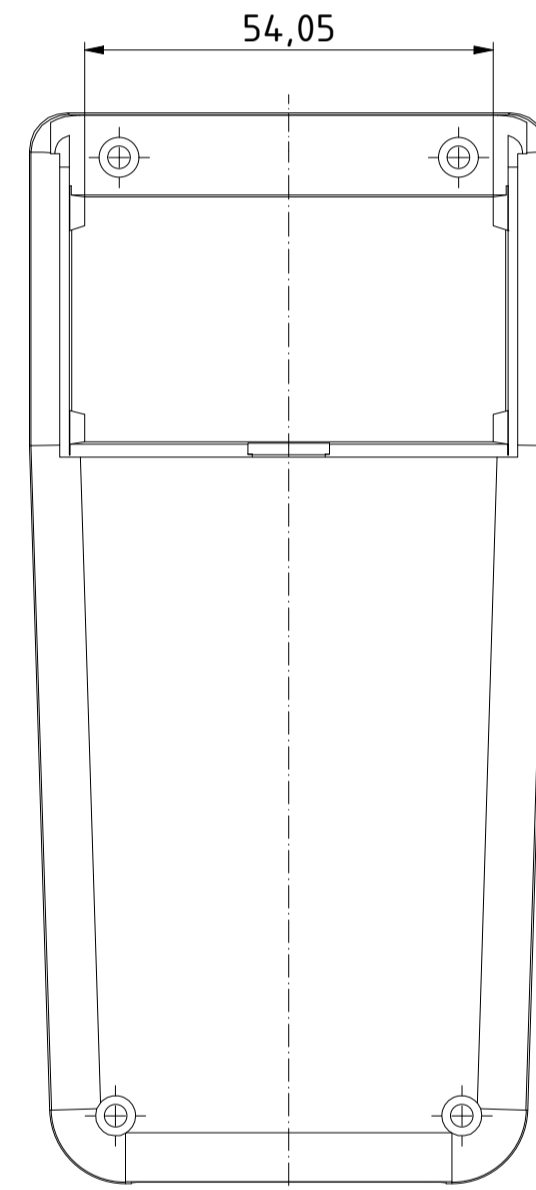
ISO (1 : 1)



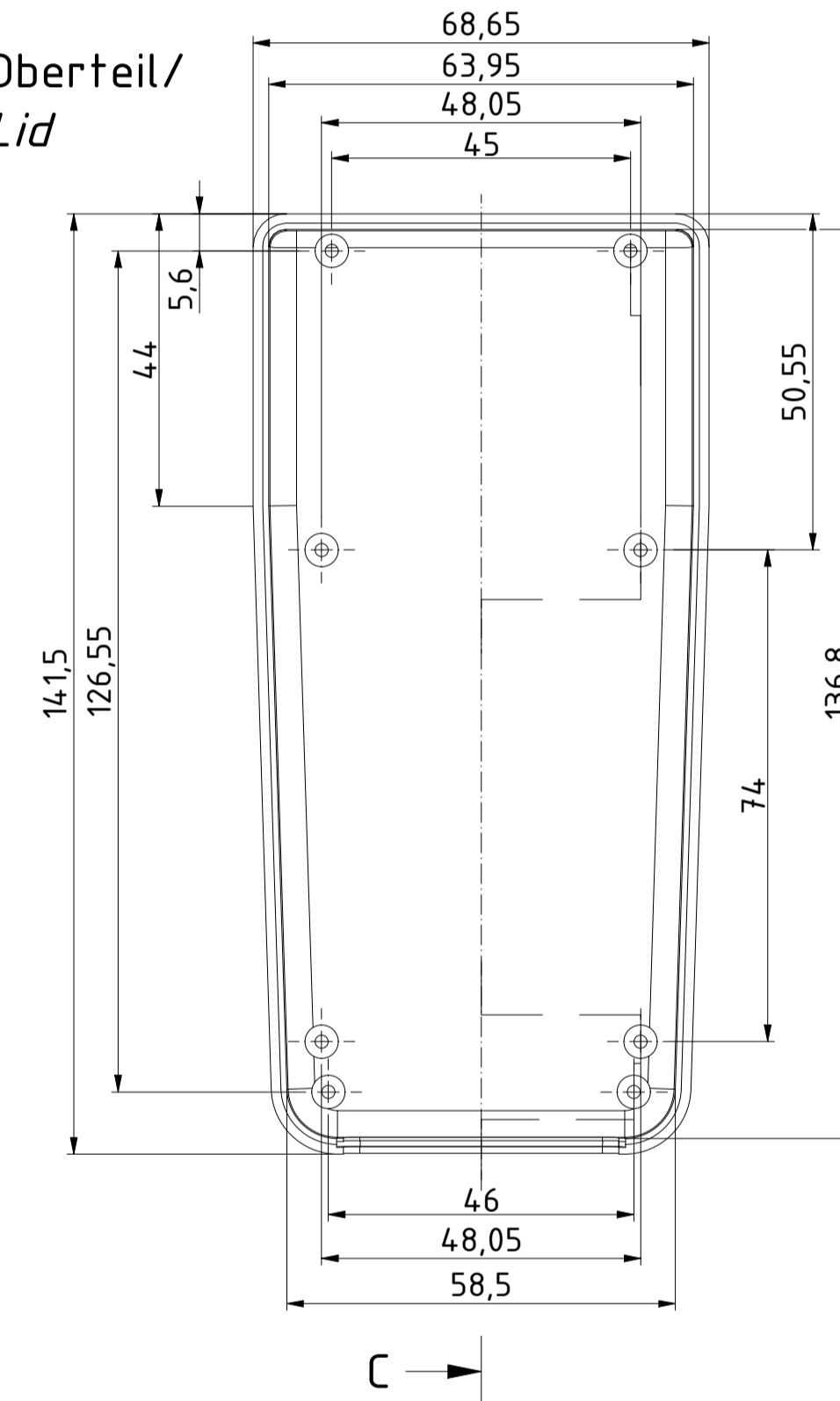
B-B (1 : 1)



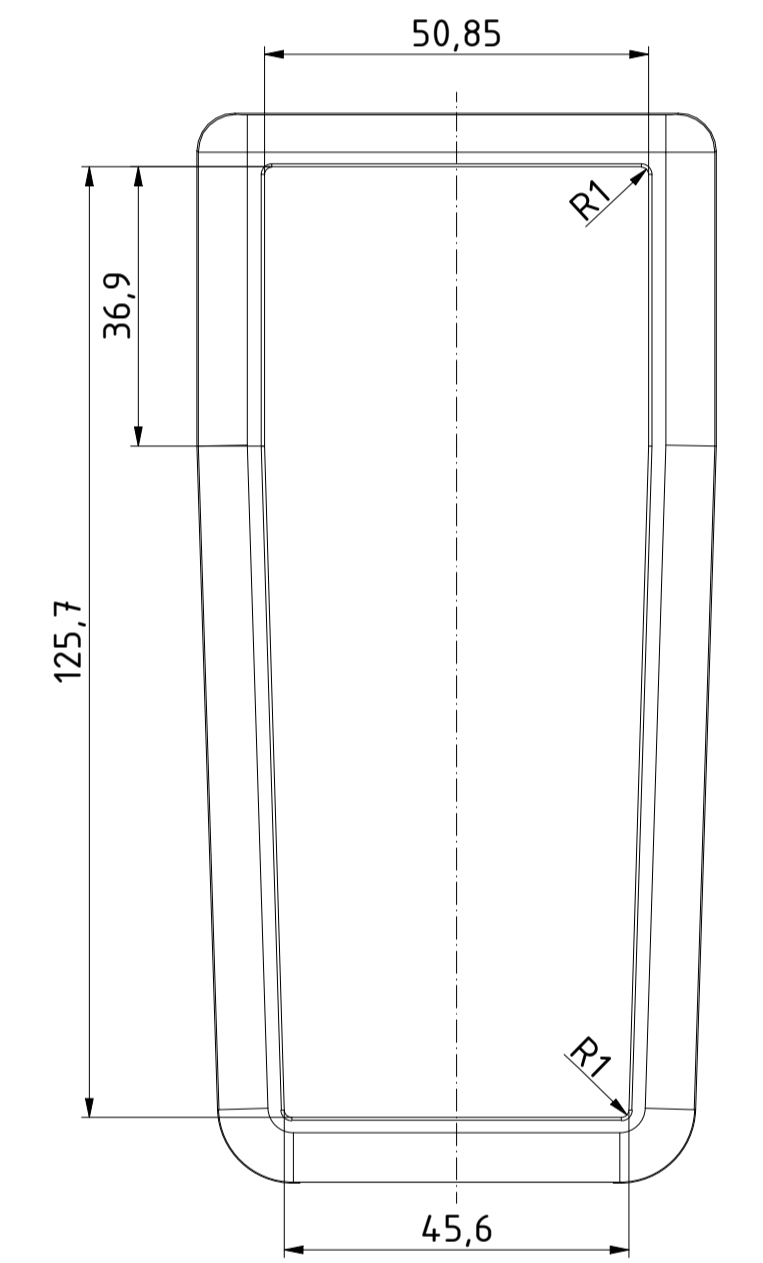
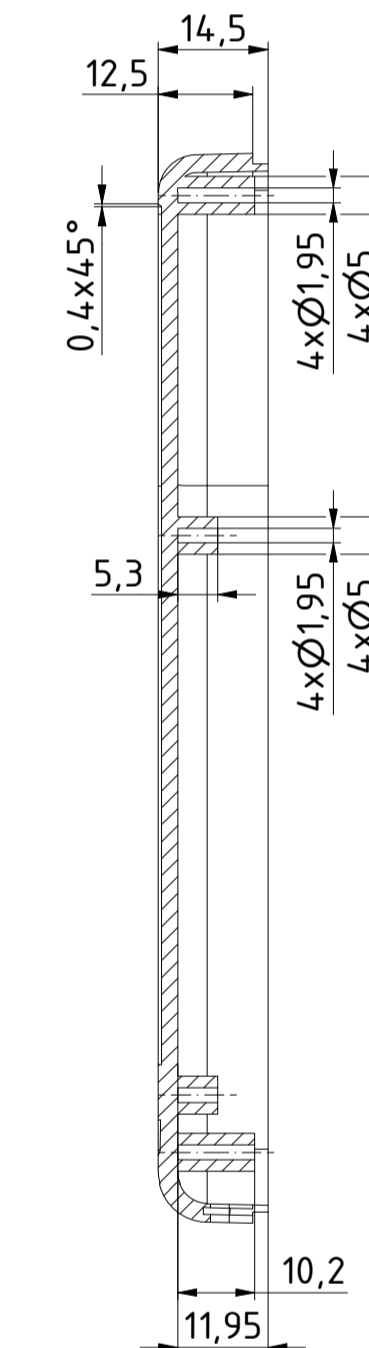
Oberteil/
Lid



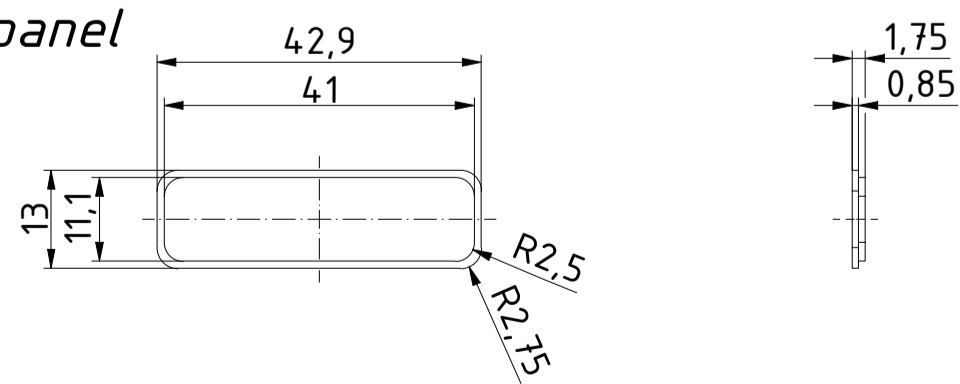
C-C (1 : 1)



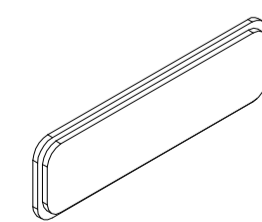
C-C (1 : 1)



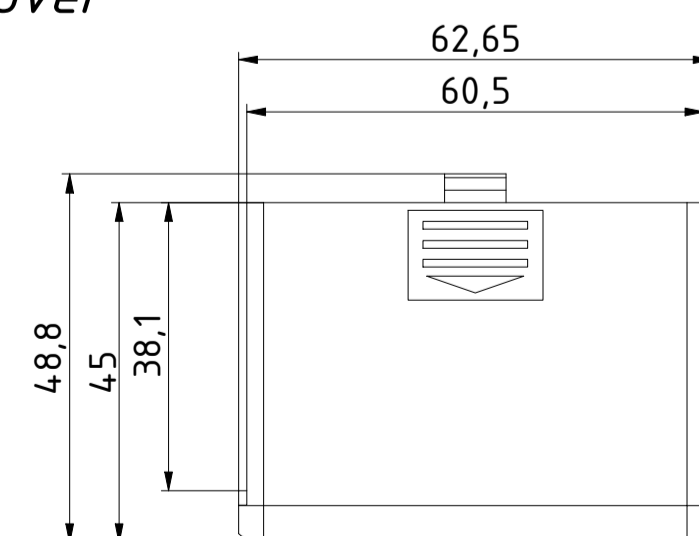
Frontplatte/
Front panel



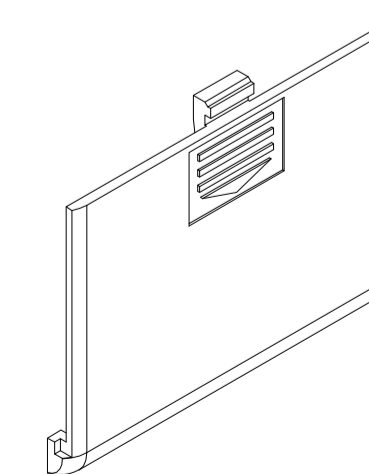
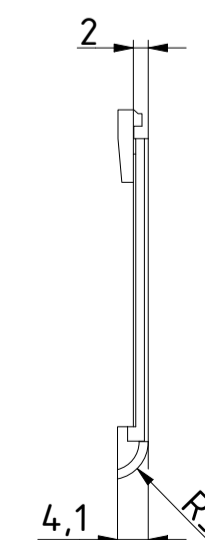
ISO (1 : 1)
nur Frontplatte/
only Front panel



Batterie-Abdeckkappe/
Battery cover



ISO (1 : 1)
nur Batterie-Abdeckkappe/
only Battery cover



"Schutzvermerk nach DIN ISO 16016 beachten" - "Please pay attention to copyright note DIN ISO 16016"

		Zeichnungs-Nr. / Drawing-No.: 1K 5455.033.01	
		4U-140703	
		Katalogzeichnung/Catalogue drawing	
		2504225.idw	
		1:1	
		A1	
Status	Ä.Nr./Alt.No	Datum/Date	Name