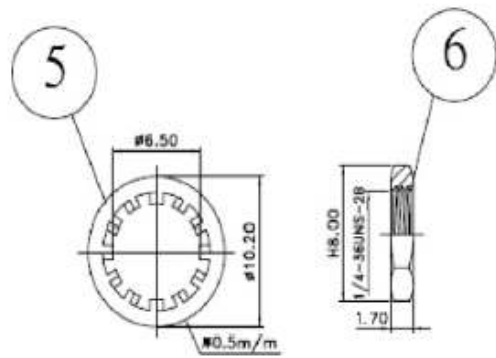
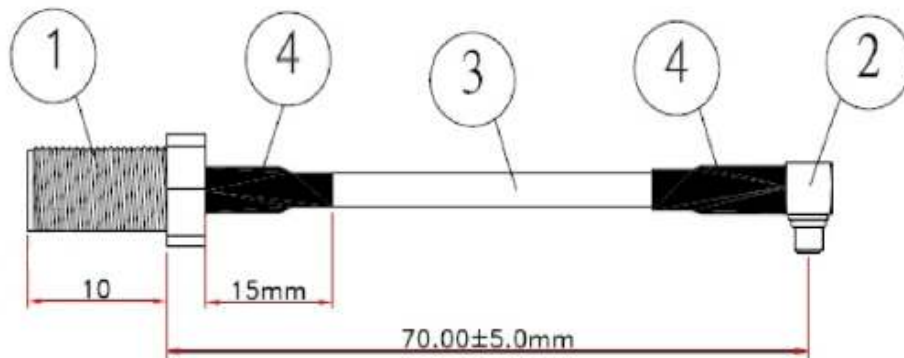


1 2 3 4 5 6 7 8 9 0

J
I
H
G
F
E
D
C
B
A



BILL OF MATERIAL			
ITEM	Q'TY	PART NO.	DESCRIPTION
1	1	SAC0273TGGK	SMA FEMALE BKD CRIMP
2	1	MMB0201TGGL	MMCX MALE R/A CRIMP
3	1	RG 174	RG 174 L=70mm
4	2	HT000007	HEAT SHRINK TUBING #3.0*15mm
5	1		Washer
6	1		Nut

RoHS Compliant

PART NO. GSM MMCX-SMA E7C CABLE
 PART NO. GSM MMCX-SMA E15C CABLE

E7C
 LENGTH CABLE 7: CM
 15: CM

DWG NO.		CHECKED BY		TOLERANCES ARE X ± 0.2 XX ± XXX ± ANG	DESCRIPTION	AREA	REVISIONS	DATE
FILE NO.		DRAWING BY						
UNIT / mm	SCALE 1:1	PROJECTION						