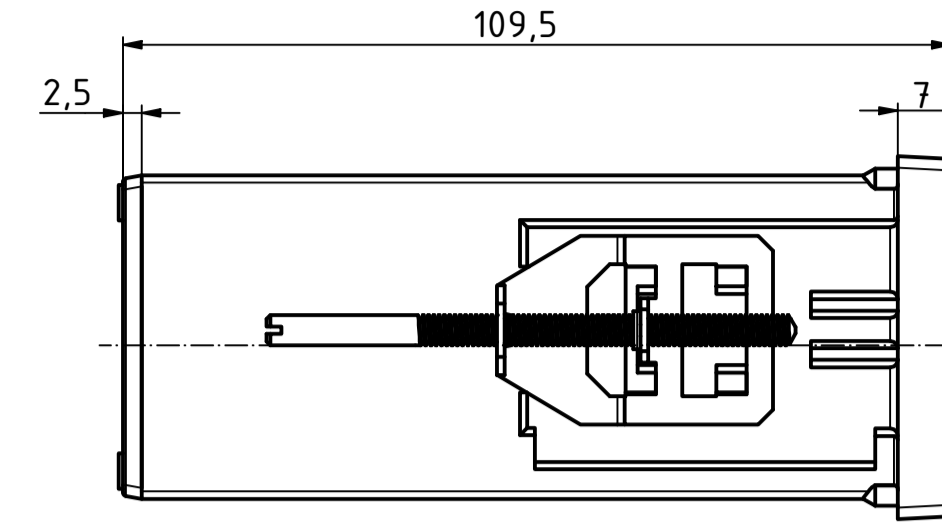
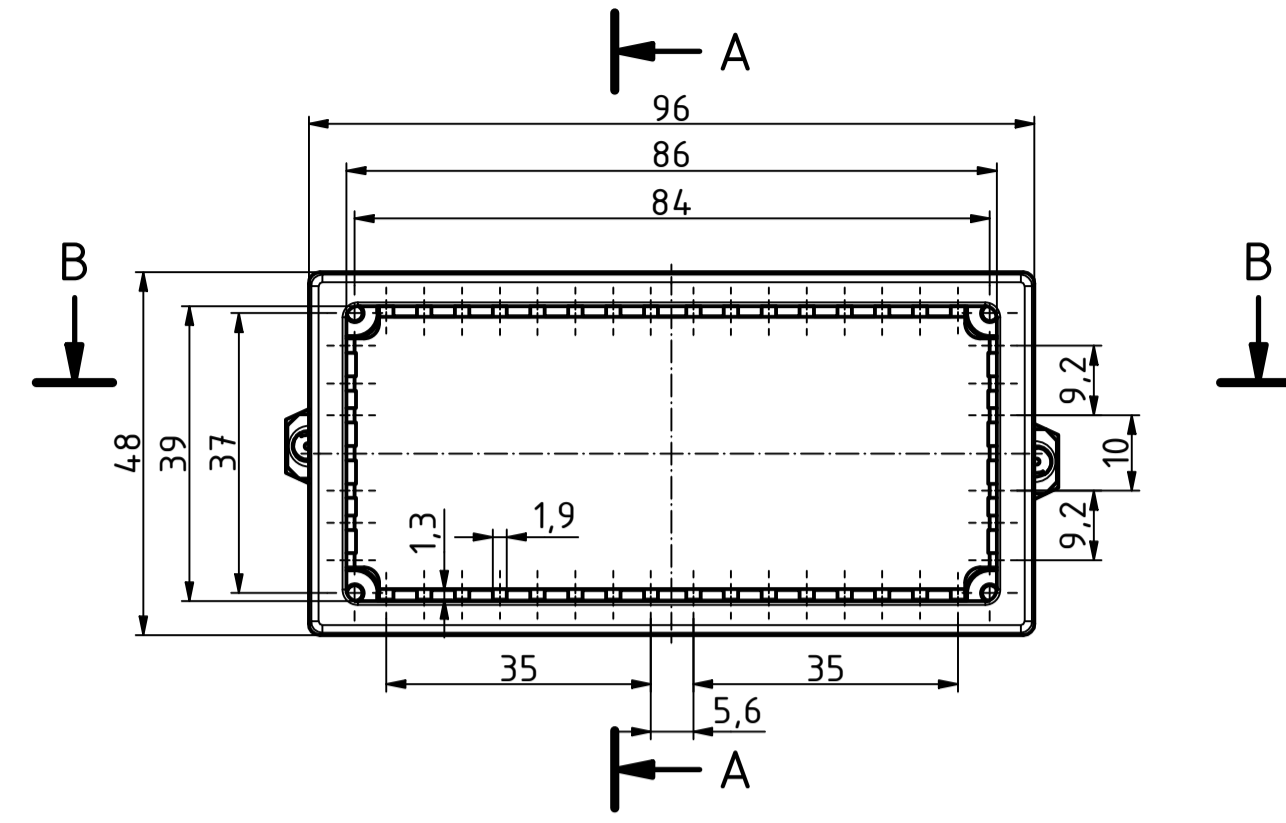
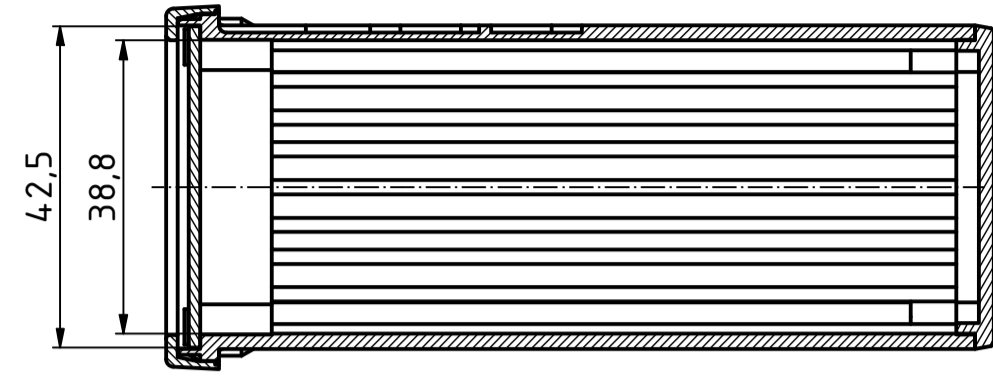
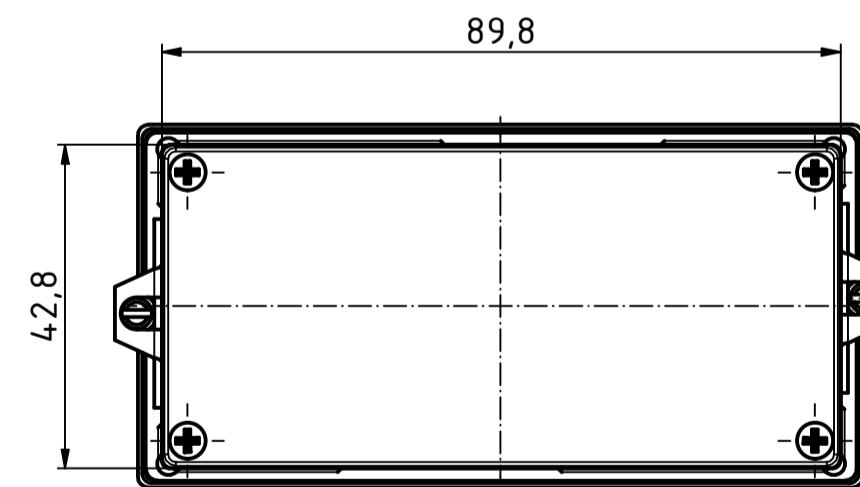
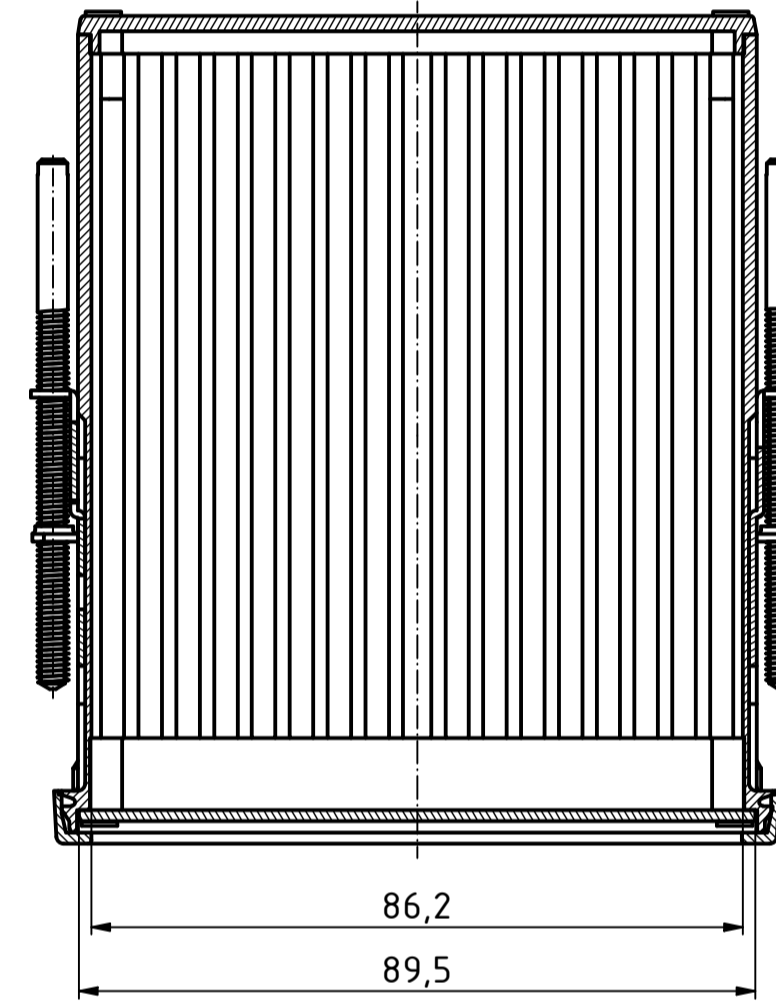


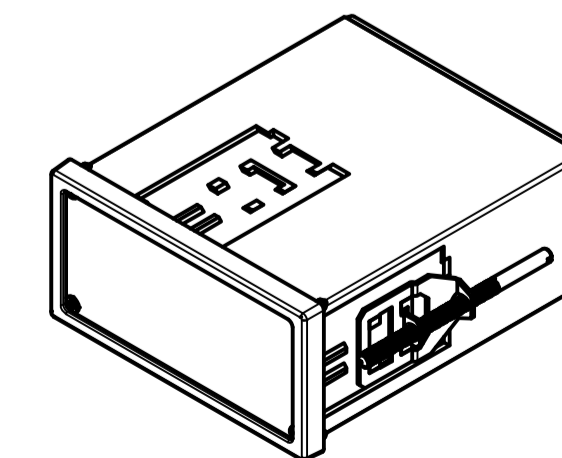
A-A (1 : 1)



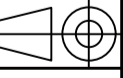

B-B (1 : 1)



ISO (1 : 2)



"Schutzvermerk nach DIN ISO 16016 beachten" - "Please pay attention to copyright note DIN ISO 16016"

| | | |
|--------------------------------------------------------------|---------------|-------------------------------------------------------------------------------------------------------------------|
| Maßstab/ Scale: 1:1 (1:2) | |  |
| Zeichnungs-Nr. / Drawing-No.: | | |
| Artikel / Article: NGS 9410_SET | | |
| Katalogzeichnung | | |
| A.Nr. / Art.No. | Datum / Date: |  A Phoenix Mecano Company |
| DISK: 17941001_NGS_9410_SET.idw Datum/Date: 09.07.2021 KH | | |