

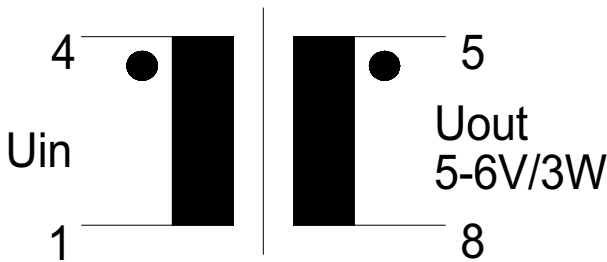
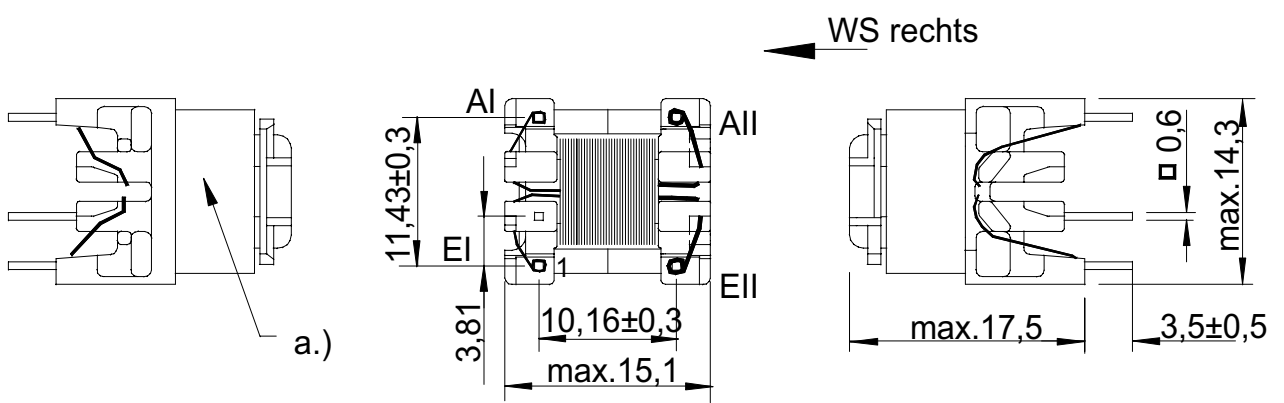
# Technical Data Sheet

Customer:  
**ELC**

Part designation:  
**SP-E 13/6**

Customer part no.:  
**SNK500-6-3**

d:/bv/zm1864.dwg



Core / material / air gap / AL	<b>E13/6 / K2006 or equiv. / 0,15</b>	
Nominal inductance	<b>LI = 2,8mH ± 10%</b>	
maximum transmissible power	<b>3W</b>	
Working frequency	<b>44kHz</b>	
Transformation ratio	<b>132 : 17</b>	
dielectric strength (50Hz/2s)	<b>3,75KV (WI - WII)</b>	
Nominal Current		
Design in comp. with standard	.	
Working / storage temperature	<b>-25°C- +115°C</b>	<b>-25°C- +85°C</b>
Miscellaneous	<b>F (DIN 40040)</b>	
Leakage inductance	<b>max. 80µH</b>	

Remarks : a.) marking at series production.

Measuring device of L: **W&K 3260A**

Measuring conditions of L: **50mV/10KHz/21,5°C**

Measured quantity	Unit	No. 1	No. 2	No. 3	No. 4	No. 5
LI	mH	2,75				
LII	µH	46,5				
Ls	µH	49,8				
RI	Ohm	4,81				
RII	mOhm	72,1				

Responsible person:

**Manfred Engelberg**

Date:

**07.04.2004**

Design regulation no:

**096.902**

Index:

**00**

**PLEASE GIVE US YOUR WRITTEN RELEASE**

Date

Signature