

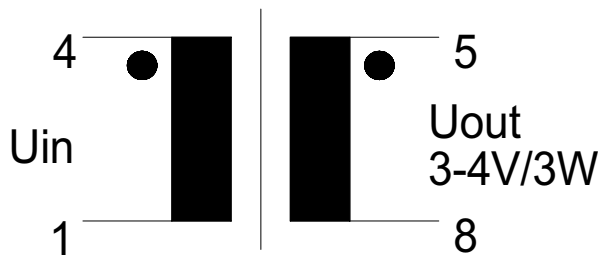
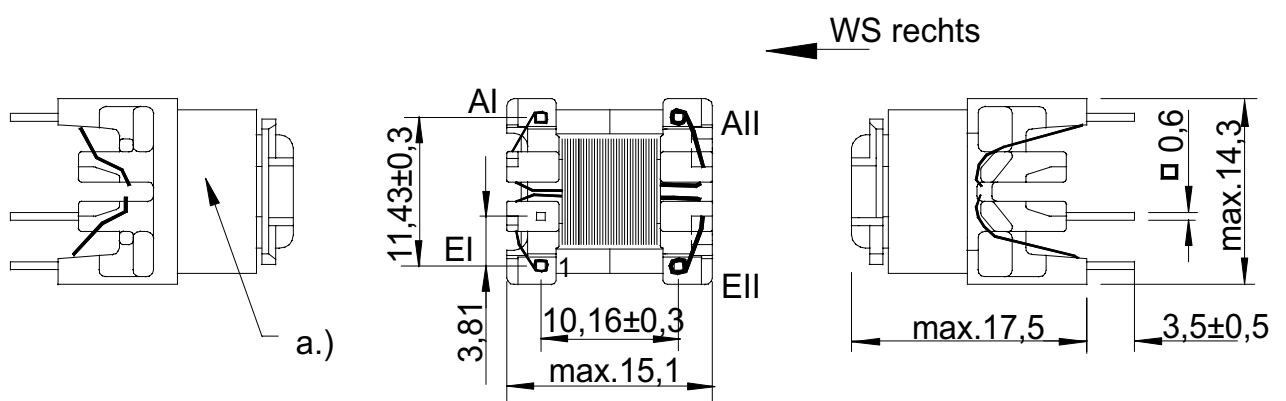
# Technical Data Sheet

Customer:  
**Kaschke Göttingen**

Part designation:  
**SP-E 13/6**

Customer part no.:  
**SNK500-4-3**

d:/bv/zm1864.dwg



Core / material / air gap / AL	<b>E13/6 K2006 or equiv.</b>	
Nominal inductance	<b>LI= 2,80 mH ±10%</b>	
maximum transmissible power	<b>3W</b>	
Working frequency	<b>44kHz</b>	
Transformation ratio	<b>132:12</b>	
dielectric strength (50Hz/2s)	<b>WI-WII: 3,75KV</b>	
Nominal Current		
Design in comp. with standard	<b>S08</b>	
Working / storage temperature	<b>-25°C- 115°C</b>	<b>-25°C- 85°C</b>
Miscellaneous	<b>F (DIN 40040)</b>	

Remarks : **a.) marking**

Measuring device of L: **W&K 3245**

Measuring conditions of L: **50 mV/10 KHz**

Measured quantity	Unit	No. 1	No. 2	No. 3	No. 4	No. 5

Responsible person:

**Uwe Dickhut**

Date:

..

Design regulation no:

**096.901**

Index:

**00**

**PLEASE GIVE US YOUR WRITTEN RELEASE**

Date

Signature