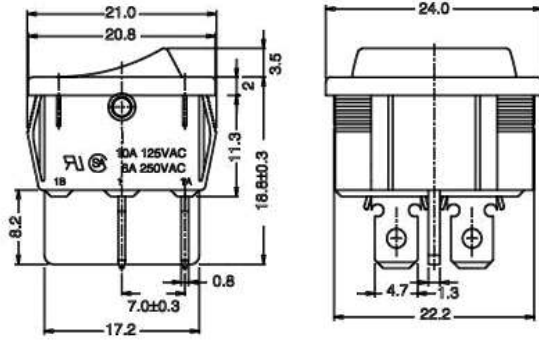


Rating : A.C. 125V 10A
 Contact R.[max] : D.C. 5V 1A 50m
 Insulation R.[min] : D.C. 500V 100M
 Withstand VOL. : A.C. 2,000V 1minute
 Operating force : 800 200g
 Life cycle[max] : 10,000 CYCLES



	Drawn		
Comet Electronics	Checked	P/N: ROCKER SWITCH 2P2T	UNIT: mm
	Approved		2009.06.29