

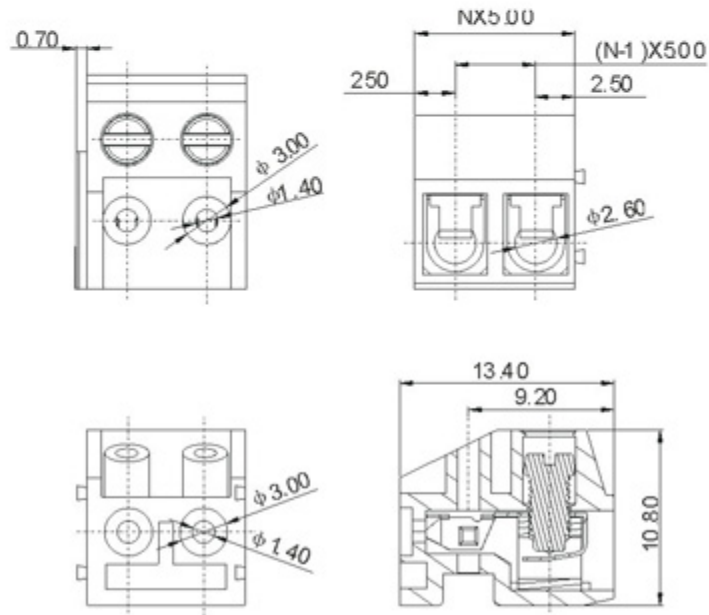


DEGSON ELECTRONICS CO., LTD.

Product Specification



DG332K-5.0

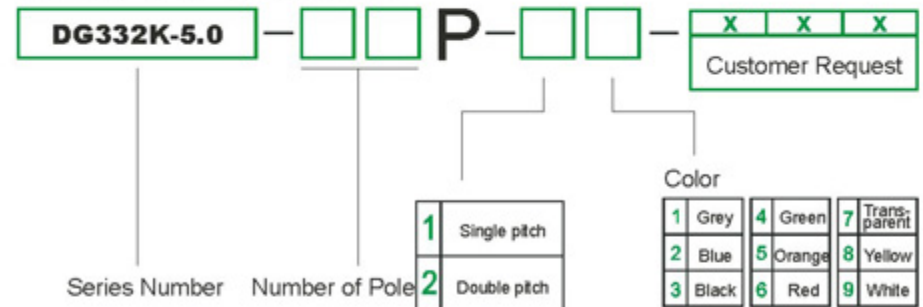


Approval		
Electrical		
Standard	UL	IEC
Rated voltage	300V	250V
Rated current	10A	12A
Wire range	28-16AWG	1.5mm ²
With standing voltage	AC2000V/1Min	

Mechanical	
Torque	0.4Nm(3.5Lb-In.)
Ambient temperature	-30°C~+120°C
Strip length	5-6mm
Dimensions	
Pitch	5.0mm(.197")
Poles	2P,3P-24P

Material	
Housing	PBT, UL94V-0
Screws	M2.5, steel, Cr ³⁺ Zn plated
Contact	Phosphor bronze
Cage	Brass, Ni plated

HOW TO ORDER



	DEGSON ELECTRONICS CO., LTD.
	NAME DG332K-5.0