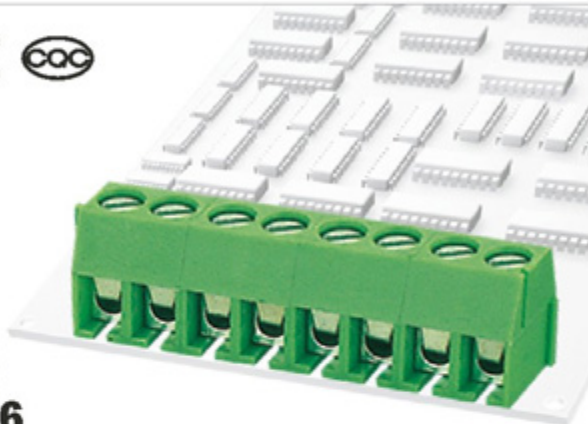


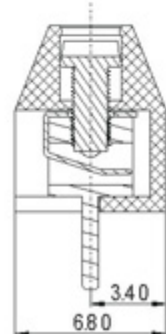
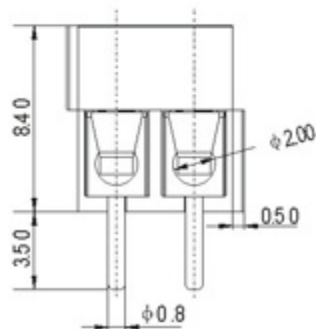
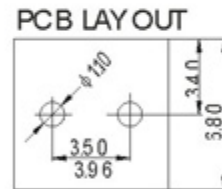
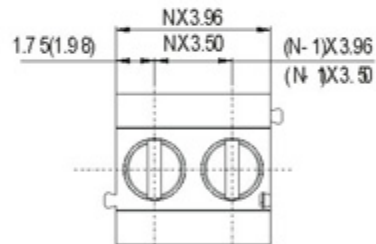


# DEGSON ELECTRONICS CO., LTD.

## Product Specification



**DG350-3.5**  
**DG350-3.96**

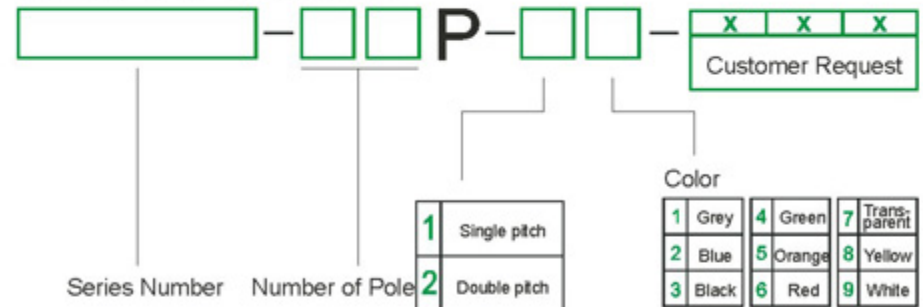


<b>Approval</b>		
<b>Electrical</b>		
Standard	UL	IEC
Rated voltage	300V	130V
Rated current	7A	10A
Wire range	24-18AWG	1.0mm <sup>2</sup>
With standing voltage	AC1250V/1Min	

<b>Mechanical</b>		
Torque	0.2Nm(1.7Lb-In.)	
Ambient temperature	-40°C~+105°C	
Strip length	5-6mm	
<b>Dimensions</b>		
Pitch	3.5mm(.138")/3.96mm(.156")	
Poles	2P,3P-24P	

<b>Material</b>		
Housing	PA66, UL94V-0	
Screws	M2, steel, Cr <sup>3+</sup> Zn plated	
Pin header	Brass, Tin plated	
Wire guard	Phosphor bronze	

### HOW TO ORDER



		<b>DEGSON ELECTRONICS CO., LTD.</b>
	NAME	<b>DG350-3.5</b> <b>DG350-3.96</b>