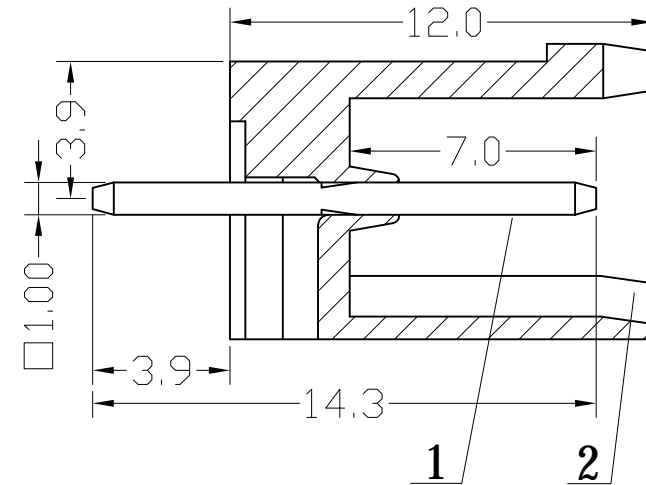
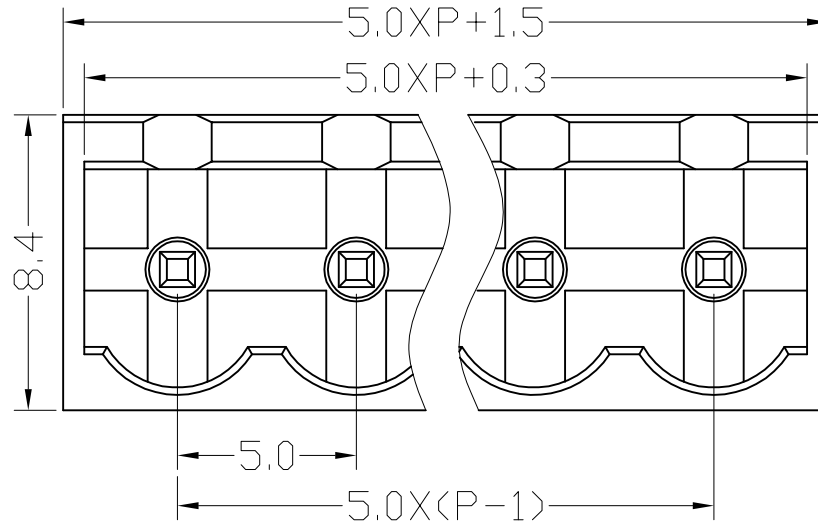


序号/RevNo.	名称/Title	文件编号/File No.
1	XY2500V 端子	QJ/XYT-2180101
2	XY2500 D塑件	QJ/XYT-2181101



300V 15A  
Poles: 2-22P  
Pitch: 5.0mm(.197")

**Materials**  
Housing: PA66(UL 94V-0)  
Solder Pin: Brass, Tin Plated

设计/Designed by	绘图/Draw ing by	审核/Checked by	批准/Approved by	未注公差 General Tolerance	
		图名/Title		文件编号/File No.	
		XY2500VB-5.0		QJ/XYT-2281100	
		产品图		页序/Sheet	
备注/Remark				单位/Units: mm	

序号/RevNo.	更改记录/Revision note	签名/Signature	日期/Date
-----------	--------------------	--------------	---------