

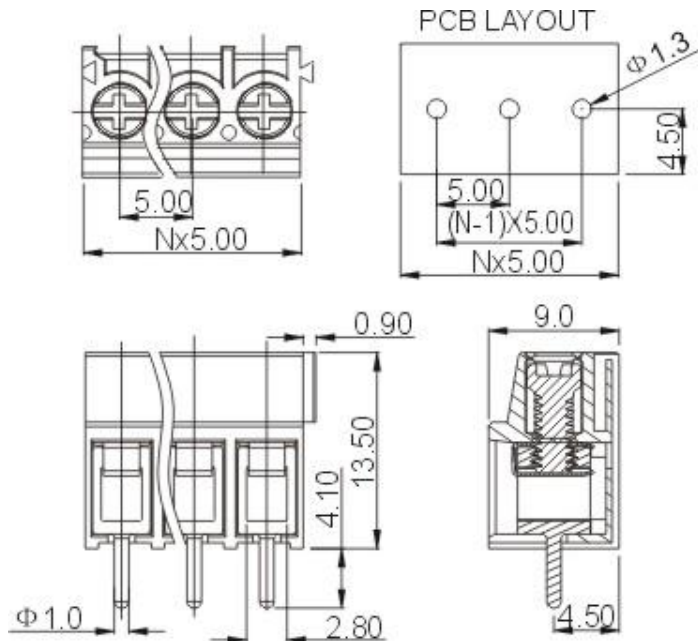
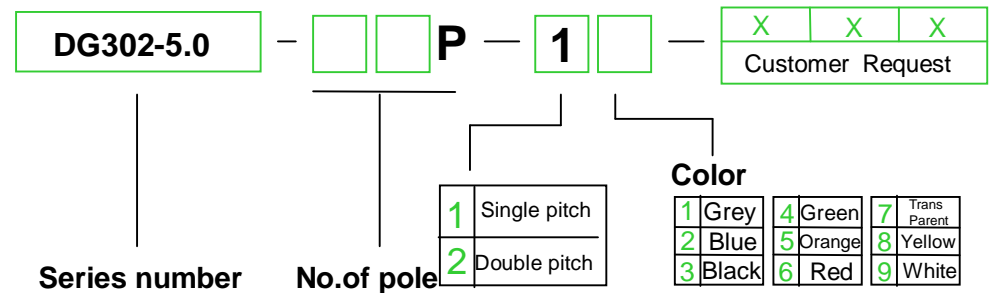



APPROVAL		
Electrical		
Standard	UL	IEC
Rated voltage	300V	250V
Rated current	20A	25A
Wire range	20-12AWG	0.5-4mm ²
Withstanding voltage	AC2000V/1Min	
Menchanical		
torque	0.5Nm(4.4Lb-In)	
Ambient temperature	-40°C~+105 °C	
Strip length	5-6mm	
Dimensions		
pitch	5.0mm(.197")	
Poles	2P,3P-24P	
Material		
Housing	PA66,UL94V-0	
Screws	M2.5,steel, Cr ³⁺ Znplated	
Pin header	Brass, Tin plated	
Wire guard	Stainless steel	



HOW TO ORDER :



mm (INCH)	 DEGSON ELECTRONICS CO., LTD.
THROANGLE PROJECTION	NAME DG302-5.0